

STANDARD TURBINE FLOW METER - TRG SERIES



TECHNICAL SPECIFICATIONS

Measuring Accuracy
± 1.0% of reading or better

Repeatability
± 0.1%

Flow Measuring Range
.08 to 200 GPM (gal/min)

Turn Down Ratio
10:1

Maximum Operating Pressure*
Working pressure up to 5,000 psi

Maximum Operating Temperature
Fluid temperature of -150° to 450°F

Standard Calibration Media
Tap water @ 70°F Temperature

End Connections
NPT

* Electronic sensor dependent.

BENEFITS

Rugged & Cost-Effective

The sturdy construction of this turbine flow meter means high performance and longer service life at an affordable price.

Industry Standard

The TRG Series flow meter comes with a standard NPT end connection for universal applications.

Versatile

This meter is capable of measuring flow in line sizes from 1/2" to 2".

Electronic Integration

This meter can provide displayed flow rate, totalization, current or voltage outputs through a variety of compatible electronics.

Simplified Maintenance

The TRG Series was designed with only one moving part for easy cleaning and maintenance.

Explosion Proof (EX) Options Available

MATERIALS OF CONSTRUCTION

Rotor Support	303 Stainless Steel
Body	316L Stainless Steel
Rotor Shaft	Tungsten Carbide
Impeller	420 Stainless Steel

RECOMMENDED SENSORS

Model	Sensor Type	Temp (°F)
MAG-PB	Pulse Sensor - <i>No Amplifier Required</i>	-40 to 185
FIP-4HS	4-20 mA Output Sensor	-40 to 185
Meter Mounted Displays:		
Non EX Meters		
RT-10A	Battery-Powered monitor	0 to 140
RT-30 SD	24 VDC Powered monitor	0 to 140
EX Meters		
HUB-40EX	Hazardous area rated sensor	-40 to 140
RT-30EX	Hazardous area rated local flow rate transmitter	-6 to 140

* For additional sensors available, contact factory. Other outputs available upon request.

STANDARD TURBINE FLOW METER - TRG SERIES

METER SPECIFICATIONS

Part Number	Range (gal/min)	K-Factor* (pulses/gal)	Porting	Filtration (micron)	Pressure Rating (psi)	Weight (lbs)
TRG-11.250-5 (EX2) ¹	0.08 to 0.4	125,000	1/2" Male NPT	100	5,000	0.75
TRG-11.300-5 (EX2) ¹	0.13 to 1.06	91,500	1/2" Male NPT	100	5,000	0.75
TRG-11.375-5 (EX2) ¹	0.3 to 3	48,000	1/2" Male NPT	100	5,000	0.75
TRG-11.500-5 (EX2) ¹	0.9 to 9	15,000	1/2" Male NPT	100	5,000	0.75
TRG-11.750-5 (EX2) ¹	1.6 to 16	10,500	1/2" Male NPT	300	5,000	0.75
TRG-11.750 (EX2) ¹	1.6 to 16	10,500	1" Male NPT	300	5,000	1.25
TRG-11.880** (EX2) ¹	3.2 to 32	2,900	1" Male NPT	300	5,000	1.50
TRG-1110 (EX2) ¹	5.3 to 53	800	1-1/2" Male NPT	300	5,000	2.50
TRG-1120L (EX2) ¹	13 to 200	400	2" Male NPT	300	5,000	3.25

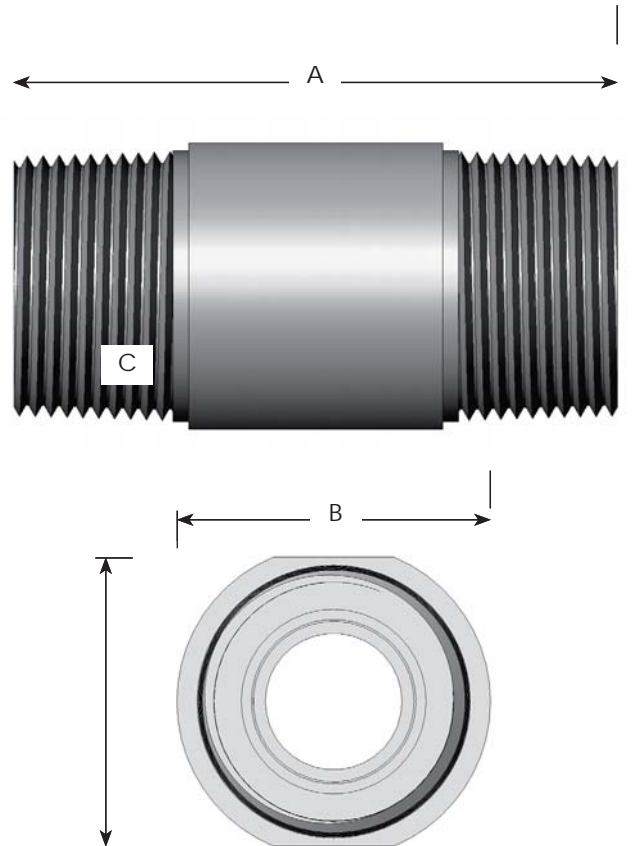
*K-Factors given are averaged. A calibration sheet accompanies every meter sold. **This is a direct replacement for the TRG-11.875 and has a doubled K-Factor.

¹EX2 versions available.

METER DIMENSIONS

Part Number	A	B	C
TRG-11.250-5 (EX2) ¹	3.00"	1.35"	1.20"
TRG-11.300-5 (EX2) ¹	3.00"	1.35"	1.20"
TRG-11.375-5 (EX2) ¹	3.00"	1.35"	1.20"
TRG-11.500-5 (EX2) ¹	3.00"	1.35"	1.20"
TRG-11.750-5 (EX2) ¹	3.00"	1.35"	1.20"
TRG-11.750 (EX2) ¹	3.00"	1.55"	1.40"
TRG-11.880 (EX2) ¹	3.00"	1.55"	1.40"
TRG-1110 (EX2) ¹	3.00"	2.15"	1.95"
TRG-1120L (EX2) ¹	4.00"	2.70"	2.55"

¹EX2 versions available.



RT-30SD - FLOW TRANSMITTER WITH LOCAL DISPLAY

Ideal for any industry or flow measurement application where a local rate and total display is required and in locations where equipment is exposed to the elements.



BENEFITS

Options for Remote Indication

The RT-30 has options for remote flow monitoring:

- Frequency pulse output (standard)
- 4-20mA, user scalable (standard)
- HART communication protocol (optional)

Easy Field Programming

Flow rate or total can be easily programmed to display in choice of engineering units. To program the unit simply use the magnet that is attached. No opening of the enclosure is required.

Remote Mounting Available

The RT-30 can be mounted remotely when used in conjunction with any AW frequency output sensor.

Up and Running in Minutes

A quick setup procedure allows you to have the flow monitor working with just a few simple programming steps.

Flexible Mounting

The RT-30 unit can be rotated 360° for optimal viewing from any angle. Options available to fit any AW Gear Meter or Turbine Meter.

Weather-Proof Enclosure

NEMA 4X enclosure provides environmental protection from moisture and debris.

FEATURES

- Available in single and dual access models
- Can be mounted directly on flow meter or in remote location
- HART® communication protocol option for remote monitoring and programming

TECHNICAL SPECIFICATIONS

Power Requirement

9-24 VDC / 200mA (customer supplied)
Class 2

Analog Output 4-20mA

- PWM converter
- 3- or 2-wire plus separate supply
- Max load impedance 500 ohm

Frequency Output

Three Opto-Isolated Open-Collector Outputs:

- Programmable for frequency or limit outputs
- 5-30 VDC rating
- 40 mA max (min. load impedance required 600 Ohm @ 30 VDC)

Built in 30 point Linearizer

Sensor/Monitor Frequency Range

0-4,500 Hz

Temperature Rating

-20 to 60°C (-4 to 140°F)

Connection

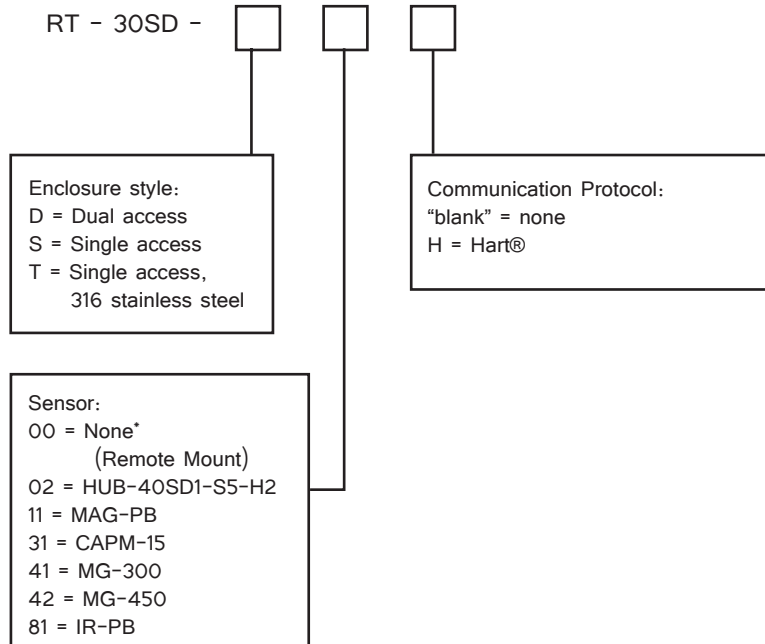
3/4" female NPT conduit provisions

One Opto-Isolated Input

9-24 VDC remote reset

PART NUMBER GUIDE

RT - 30SD -

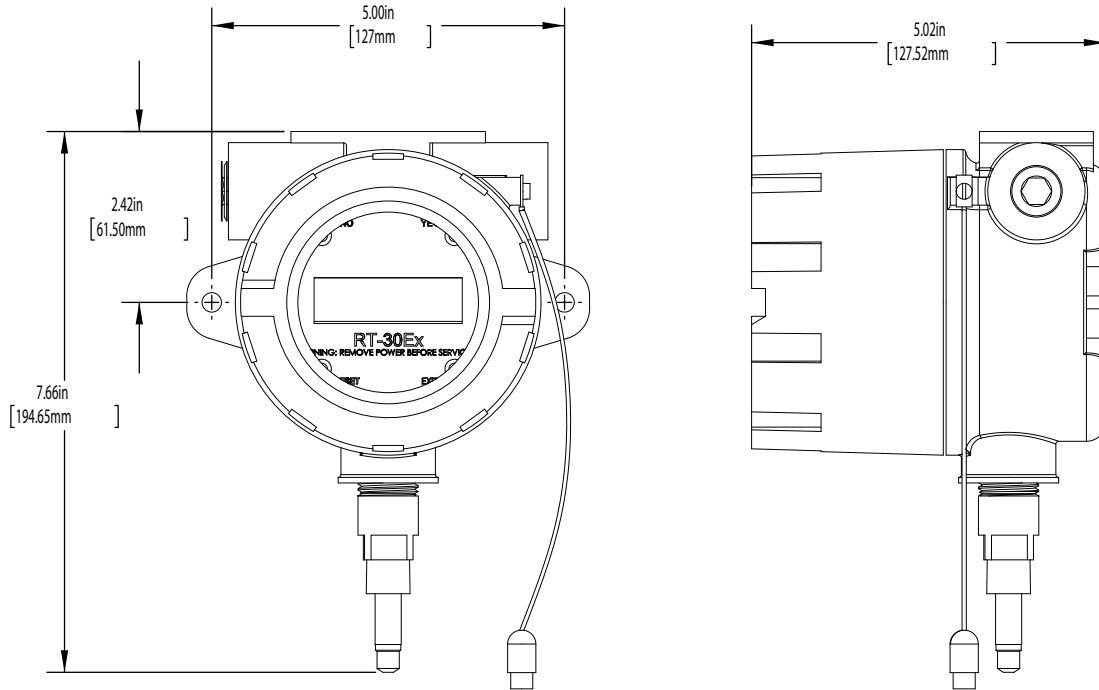


* Requires external sensor

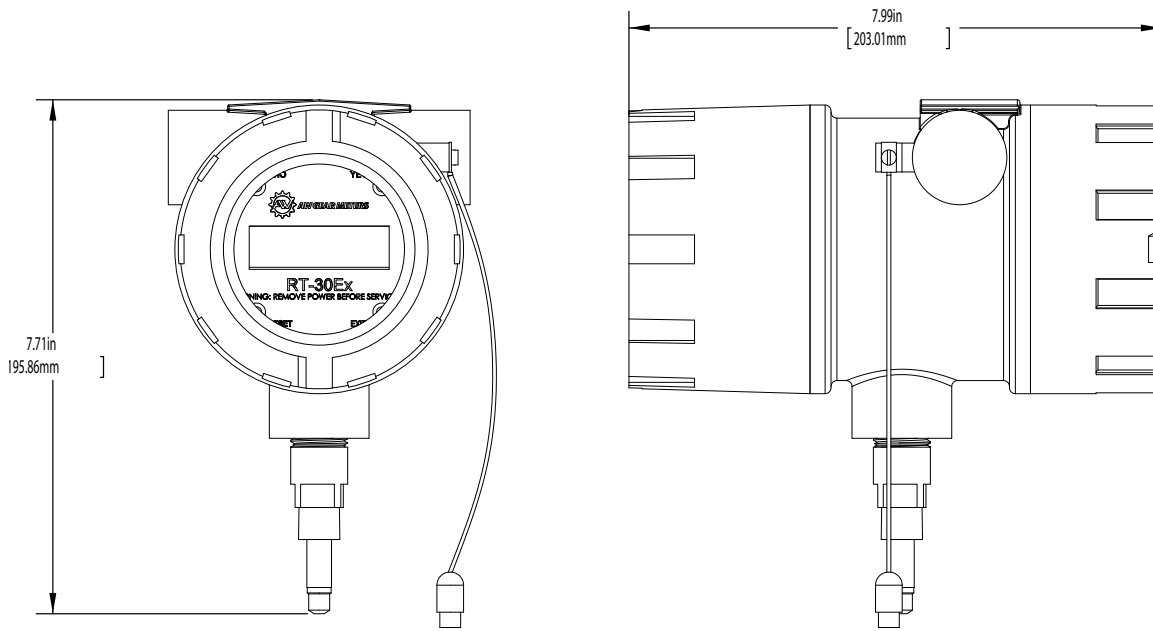
RT-30SD - FLOW TRANSMITTER WITH LOCAL DISPLAY

Ideal for any industry or flow measurement application where a local rate and total display is required and in locations where equipment is exposed to the elements.

SINGLE ACCESS ENCLOSURE (SHOWN HERE WITH HUB-40 SENSOR)



DUAL ACCESS ENCLOSURE (SHOWN HERE WITH HUB-40 SENSOR)



Products may be subject to change without notice - Contact factory for the most up-to-date product information.

