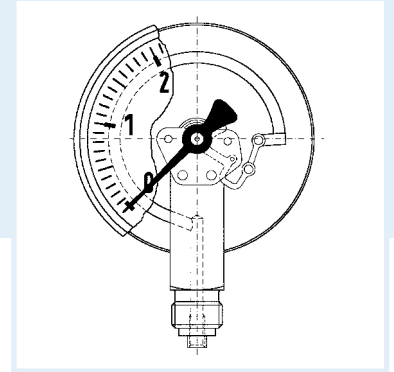


# Standard Bourdon tube pressure gauges

EN 837-1



- For pneumatic and heating system applications
- Design as per EN 837-1
- Accuracy class 1.6
- Corrosion-resistant, highly impact-resistant plastic housing
- Many customised versions available



**Application** For gaseous and liquid media which are not highly viscous, do not crystallise and do not attack copper alloys.

! For measuring gas or vapour, these gauges must be used in accordance with the table "Selection Criteria as per EN 837-2" (see appendix)!

## Technical specifications

### Type

D 1

### Nominal size

40 – 50 – 63 – 80 – 100

### Accuracy class (EN 837-1/6)

1.6

### Ranges (EN 837-1/5)

-1/0 to -1/+15 bar

0/0.6 to 0/400 bar

### Application area

Static load:  $\frac{3}{4}$  x full scale value

Dynamic load:  $\frac{2}{5}$  x full scale value

Short-term: full scale value

### Operating temperature range

Medium:  $T_{max} = +60\text{ }^{\circ}\text{C}$

Ambient:  $T_{min} = -20\text{ }^{\circ}\text{C}$

$T_{max} = +60\text{ }^{\circ}\text{C}$

### Temperature performance

Indication error when the temperature of the measuring system deviates from the normal temperature of  $20\text{ }^{\circ}\text{C}$ :

rising temperature approx.  $\pm 0.4\text{ } \%$ /10 K

falling temperature approx.  $\pm 0.4\text{ } \%$ /10 K

of full scale value

### Degree of protection

IP 32 (EN 60529)

## Standard version

### Connection

Brass, bottom or centre back

NG 40 G $\frac{1}{8}$ B – SW 12

NG 50-63 G $\frac{1}{4}$ B – SW 14

NG 80-100 bottom G $\frac{1}{2}$ B – spanner size SW 22

NG 80-100 centre back G $\frac{1}{4}$ B – spanner size SW 14

(EN 837-1/7.3)

### Measuring element

Bourdon tube, copper alloy

$\leq 60$  bar "C" type tube

$> 60$  bar helical tube

### Movement

Brass

### Dial

Plastic, white

Dial marking black

### Pointer

Plastic, black

### Housing

Black ABS, highly impact-resistant and corrosion-resistant

### Window

Clip-in plastic, NG 80-100 with adjustable red reference pointer

## Options

- Damping screw
- Reference pointer
- Special scales
- Other process connections

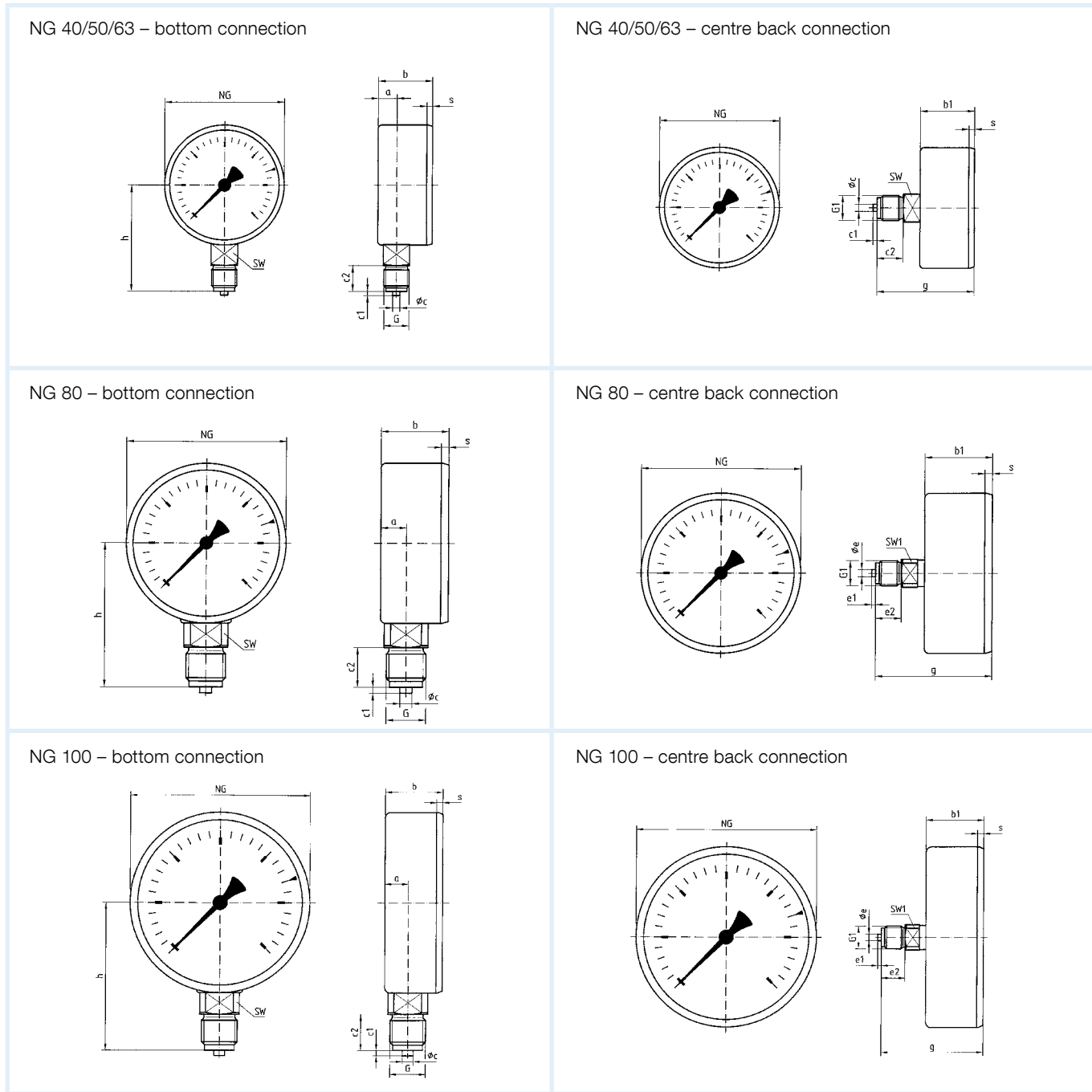
i

See the catalogue DOMESTIC TECHNOLOGY for special heating and sanitary versions. See page 28 for prices.

# Standard Bourdon tube pressure gauges

Type D 1 – NG 40/50/63/80/100

## 1 Housing types and dimensions



### Dimensions (mm)

Nominal size (NG)	a	b	b1	Øc	c1	c2	Øe	e1	e2	g	G	G1	h	s	SW	Spanner size SW1
40	9.5	25	25	4	2	10	-	-	-	41.5	G1/8B	G1/8B	36	3	12	-
50	10.3	26.8	27.1	5	2	13	-	-	-	47.1	G1/4B	G1/4B	45	3.8	14	-
63	9.8	29.7	30.4	5	2	13	-	-	-	50.4	G1/4B	G1/4B	51.5	3.7	14	-
80	12.8	32.8	32.8	6	3	20	5	2	13	55.8	G1/2B	G1/4B	72	2.8	22	14
100	15.5	34.5	32	6	3	20	5	2	13	55	G1/2B	G1/4B	82	3.5	22	14