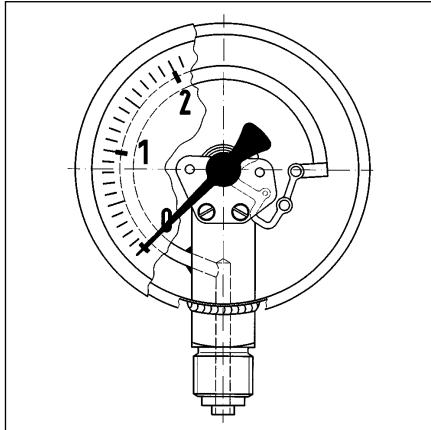


Bourdon tube pressure gauges for chemical applications EN 837-1



Application

For aggressive gaseous and liquid media which are not highly viscous and do not crystallize. Suitable for use in corrosive atmospheres.

! When measuring gas or vapour, the instruments must be used in accordance with the safety recommendations of EN 837-2 (see appendix).

Type

D 4

Nominal size

100 - 160

Accuracy class (EN 837-1/6)

1.0

Ranges (EN 837-1/5)

-1/0 to -1/+15 bar

NG 100 0/0.6 to 0/1,000 bar

NG 160 0/0.6 to 0/1,600 bar

Application area

Static load:

≤ 600 bar = full scale value

> 600 bar = 3/4 x full scale value

Dynamic load:

≤ 600 bar = 0.9 x full scale value

> 600 bar = 2/3 x full scale value

Short term:

≤ 600 bar = 1.3 x full scale value

> 600 bar = full scale value

Operating temperature range

Medium: $T_{max} = +150\text{ °C}$

Ambient: $T_{min} = -20\text{ °C}$

$T_{max} = +60\text{ °C}$

Temperature performance

Indication error when the temperature of the measuring element deviates from 20 °C:

rising temp. approx. ±0.4 % /10K

falling temp. approx. ±0.4 % /10K
percentage of full scale value

Protection

IP 65 (EN 60529)

with housing vent (≤ 25 bar)

IP 54

Standard version

Connection

Stainless steel 1.4571, bottom or bottom back

G1/2B - spanner size 22
(EN 837-1/7.3)

Measuring element

Bourdon tube, stainless steel

1.4571

≤ 60 bar „C“ type bourdon tube

> 60 bar helical tube

leak tested (EN 837-1/9.5.6)

Movement

Stainless steel

Dial

Aluminium, white

Dial marking black

Pointer

Aluminium, black

Housing

Stainless steel 1.4301
with blow-out

Bayonet type bezel

Stainless steel 1.4301

Front glass

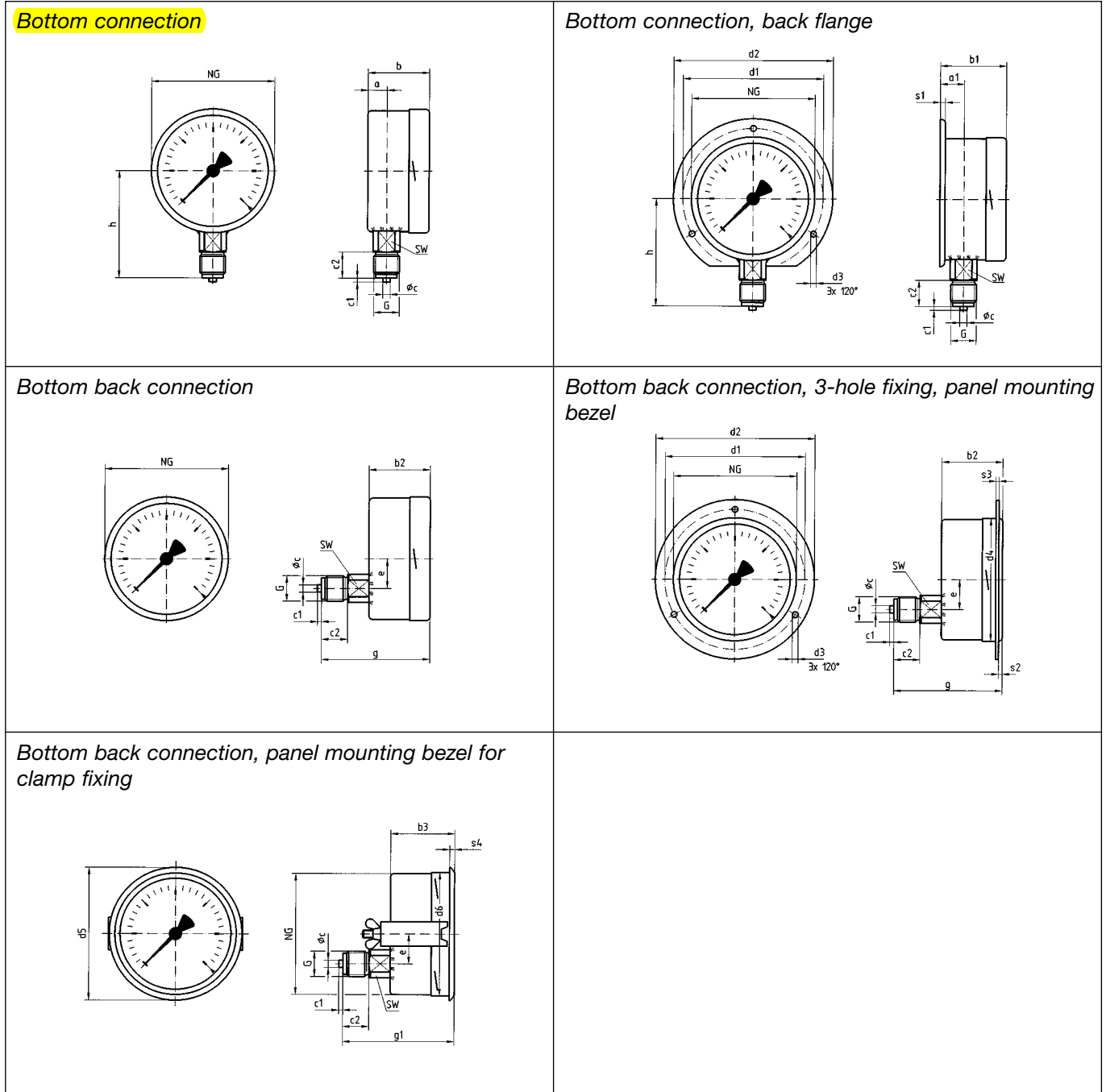
Laminated safety glass

Options

- Brass movement
- Back flange
- Panel mounting bezel for clamp fixing
- 3-hole fixing, panel mounting bezel
- Special scales
- Electrical contacts

Bourdon tube pressure gauges for chemical applications Type D 4 - NG 100/160

Housing types and dimensions



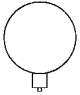
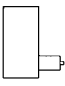
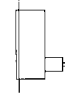

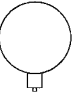
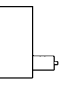
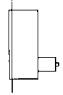

Dimensions (mm)

Nominal size (NG)	a	a1	b	b1	b2	b3	Øc	c1	c2	d1*	d2*	d3*	d4	d5	d6	e	G	g	g1	h	s1
100	15.6	19.1	49	52.5	49	49	6	3	20	116	132	4.8	104	107	101	34.5	G ¹ / ₂ B	83	83	86	5.5
160	17.5	20.5	50	53	50	52	6	3	20	178	196	5.8	164	167	161	34.5	G ¹ / ₂ B	84	86	116	6
Nominal size (NG)	s2	s3	s4	SW																	
100	4	2	4	22																	
160	4	2	4.5	22																	

* Dimensions according to DIN EN 837-1

Bourdon tube pressure gauges for chemical applications EN 837-1

DG: M

Type	RF100Ch,D402	RF100Ch,D412	RF100Ch,D432	RF100Ch,D452	RF160Ch,D402	RF160Ch,D412	RF160Ch,D432	RF160Ch,D452
Version								
Housing-Ø	100	100	100	100	160	160	160	160
Housing	Stainless steel 1.4301 with bayonet type bezel, laminated safety front glass							
Meas. elem.	Bourdon tube, stainless steel 1.4571							
Accuracy class	1.0	1.0	1.0	1.0	1.0	1.0	1.0	1.0
Connection	G $\frac{1}{2}$ B	G $\frac{1}{2}$ B	G $\frac{1}{2}$ B	G $\frac{1}{2}$ B	G $\frac{1}{2}$ B	G $\frac{1}{2}$ B	G $\frac{1}{2}$ B	G $\frac{1}{2}$ B
			3-hole fixing, panel mounting bezel, 1.4301 polished	Panel mounting bezel, 1.4301 polished, clamp fixing			3-hole fixing, panel mounting bezel, 1.4301 polished	Panel mounting bezel, 1.4301 polished, clamp fixing
Range (bar)	Part no.	Part no.	Part no.	Part no.	Part no.	Part no.	Part no.	Part no.
Price €								
-1/0	85201402	85201412	85201432	85201452	85251402	85251412	85251432	85251452
-1/+0,6	85202402	85202412	85202432	85202452	85252402	85252412	85252432	85252452
-1/+1,5	85203402	85203412	85203432	85203452	85253402	85253412	85253432	85253452
-1/+3	85204402	85204412	85204432	85204452	85254402	85254412	85254432	85254452
-1/+5	85205402	85205412	85205432	85205452	85255402	85255412	85255432	85255452
-1/+9	85206402	85206412	85206432	85206452	85256402	85256412	85256432	85256452
-1/+15	85207402	85207412	85207432	85207452	85257402	85257412	85257432	85257452
Price €								
0/0,6	85209402	85209412	85209432	85209452	85259402	85259412	85259432	85259452
0/1	85210402	85210412	85210432	85210452	85260402	85260412	85260432	85260452
0/1,6	85211402	85211412	85211432	85211452	85261402	85261412	85261432	85261452
0/2,5	85212402	85212412	85212432	85212452	85262402	85262412	85262432	85262452
0/4	85213402	85213412	85213432	85213452	85263402	85263412	85263432	85263452
0/6	85214402	85214412	85214432	85214452	85264402	85264412	85264432	85264452
0/10	85215402	85215412	85215432	85215452	85265402	85265412	85265432	85265452
0/16	85216402	85216412	85216432	85216452	85266402	85266412	85266432	85266452
0/25	85217402	85217412	85217432	85217452	85267402	85267412	85267432	85267452
0/40	85218402	85218412	85218432	85218452	85268402	85268412	85268432	85268452
Price €								
0/60	85219402	85219412	85219432	85219452	85269402	85269412	85269432	85269452
0/100	85220402	85220412	85220432	85220452	85270402	85270412	85270432	85270452
0/160	85221402	85221412	85221432	85221452	85271402	85271412	85271432	85271452
0/250	85222402	85222412	85222432	85222452	85272402	85272412	85272432	85272452
0/400	85223402	85223412	85223432	85223452	85273402	85273412	85273432	85273452
Price €								
0/600	85224402	85224412	85224432	85224452	85274402	85274412	85274432	85274452
0/1000	85225402	85225412	85225432	85225452	85275402	85275412	85275432	85275452
0/1600	---	---	---	---	85276402	85276412	85276432	85276452