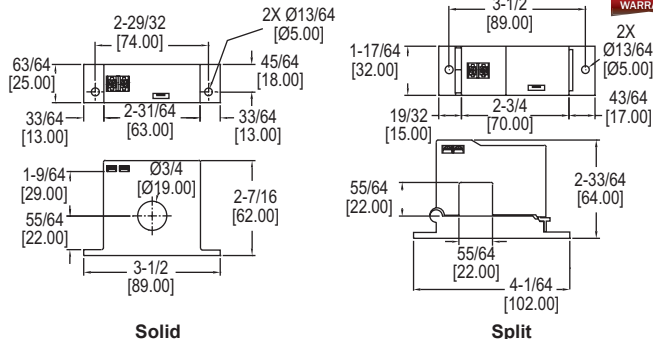




TRUE RMS CURRENT TRANSFORMERS

Solid or Split Core, Field Selectable Range



The **SERIES CCT60/70** True RMS Current Transformers are a low cost alternative for providing true RMS outputs on distorted AC waveforms. True RMS outputs are ideal for nonlinear loads or noisy circuits. For existing installations, split core models can be installed without disconnecting cables. Each model offers three jumper selectable ranges to reduce the risk of ordering the wrong model.

FEATURES/BENEFITS

- Integral mounting flange for quick installation
- Solid core or split core configurations
- Jumper selectable range
- True RMS

APPLICATIONS

- BAS
- HVAC

SPECIFICATIONS

- Amperage Range:** Up to 200 A (depending on model).
- Output:** 4 to 20 mA, true RMS.
- Power Requirements:** 24 VDC nominal.
- Accuracy:** 1%.
- Temperature Limits:** -22 to 158°F (-30 to 70°C).
- Humidity Limits:** 0 to 95% (non-condensing).
- Response Time:** 250 ms to 90%.
- Isolation Voltage:** 2000 V.
- Frequency:** 10 to 400 Hz.
- Enclosure Rating:** UL 94 V-0 flammability rated, ABS plastic housing.
- Agency Approvals:** CE, cULus.

MODEL CHART

Model	Range	Case
CCT60-200	10/20/50 A	Solid core
CCT70-200	100/150/200 A	Solid core
CCT60-100	10/20/50 A	Split core
CCT70-100	100/150/200 A	Split core