

# TANK GAUGING SYSTEMS

TGS SIDE MOUNTED SWEET SERVICE  
MECHANICAL LEVEL GAUGE  
TGS - 6010

[www.tankgaugingsys.com](http://www.tankgaugingsys.com)

Cost-effective gauging of  
sweet, non-corrosive fluids

Magnetic gauge board for  
simple "tank-in-service"  
installations (no welding  
required)

Fiberglass float with  
Stainless Steel Swivel  
Unique design - no need  
for guide wires

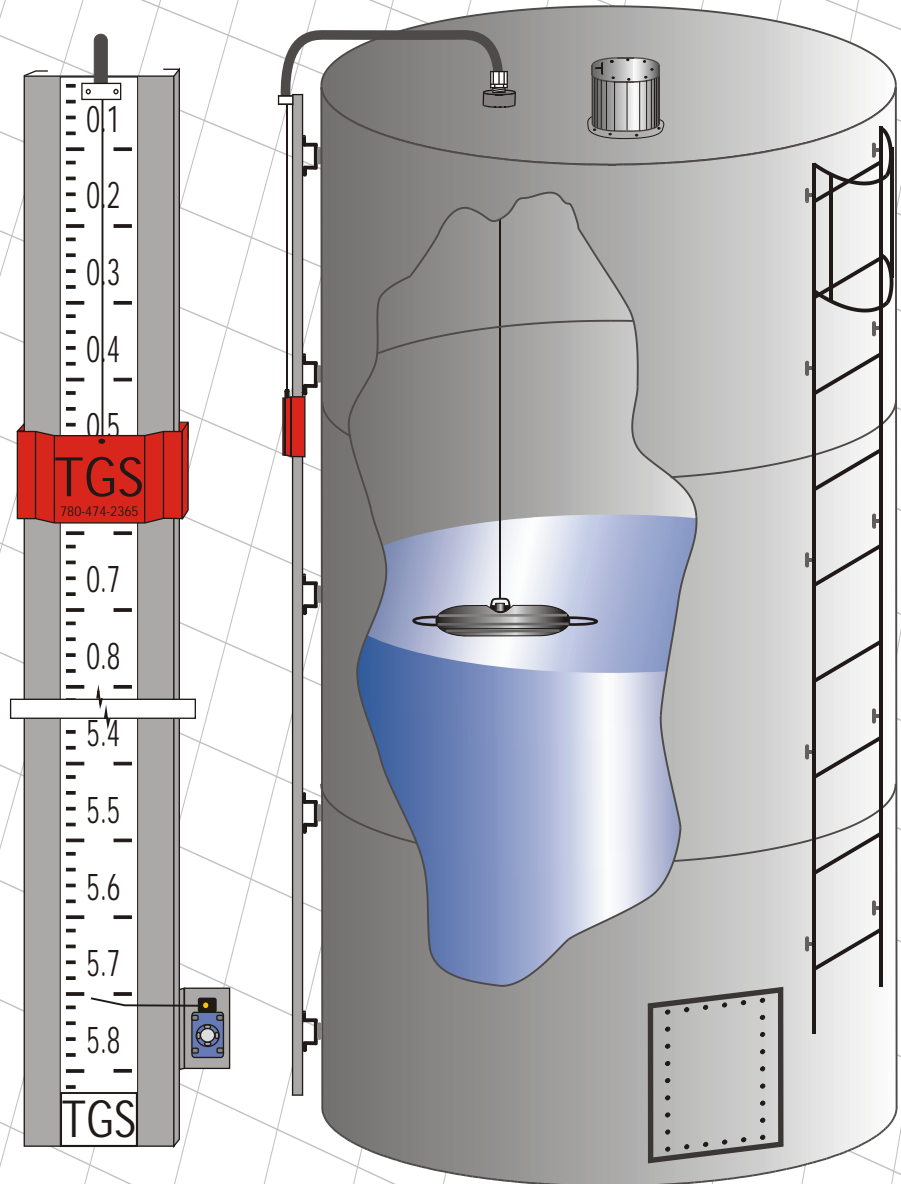
Large easy to read gauge  
board with reflective, long-  
life 3M decal

No gears or pulleys to jam  
or freeze

Complete gauge package  
supplied

Slider/Indicator slides on  
gauge board using UHMW  
runners

Add CSA Class 1 Div. 1  
alarm switch for high / low  
level alarms



Head Office: 12532 - 124St. Edmonton, AB, T5L 0N5

Edmonton  
780-474-2365 (fax) 477-1576  
Calgary  
403-685-8867 (fax) 685-8868

# TANK GAUGING

TGS SIDE MOUNTED SWEET SERVICE  
MECHANICAL LEVEL GAUGE

# SYSTEMS

TGS - 6010

## FEATURES

Aluminum gauge board completely corrosion resistant

Indicator slides up and down gauge board using Nylon runners. Bright red color for high visibility at long distances. (optional cable guided indicator)

Highly reflective 3M scotchlite decals, Excellent visibility day or night

Gauge board calibrated in linear meters (standard)  
Optional: bbl, m<sup>3</sup>, ft, etc.

Point Switch  
For high / low level alarms  
Class 1, Div. 1, Explosion Proof,  
Mounted via Magnetic Bracket or  
Weld-on Bracket. Field Adjustable

Magnetic mounting system for insulated or non-insulated tanks. Ideal for in-service installations - no welding required

PVC cable guide, field adjustable - no pulleys or gears to freeze or jam

3/4" tank connection or tank-in-service coupling

Stainless Steel gauging cable for long durability

Unique fiberglass float with Stainless Steel Swivel - Float rotates independent of cable preventing premature wearing, knotting or kinking

Can be used with or without float guide wires

Fits through 6" dia thief hatch

### TYPICAL TOOLS FOR THE INSTALL

- \* 7/16", 1/2", 5/16" Wrenches and Sockets
- \* Tube Cutter and/or Hacksaw
- \* File and Big Channel Locks
- \* Cable Cutter and Crescent Wrenches
- \* 3/4" Coupling or 1 1/16" Hole required

## Technical Specifications

Tank Gauging Systems, Edmonton - Calgary

Edm: 780-474-2365 (fax) 477-1576

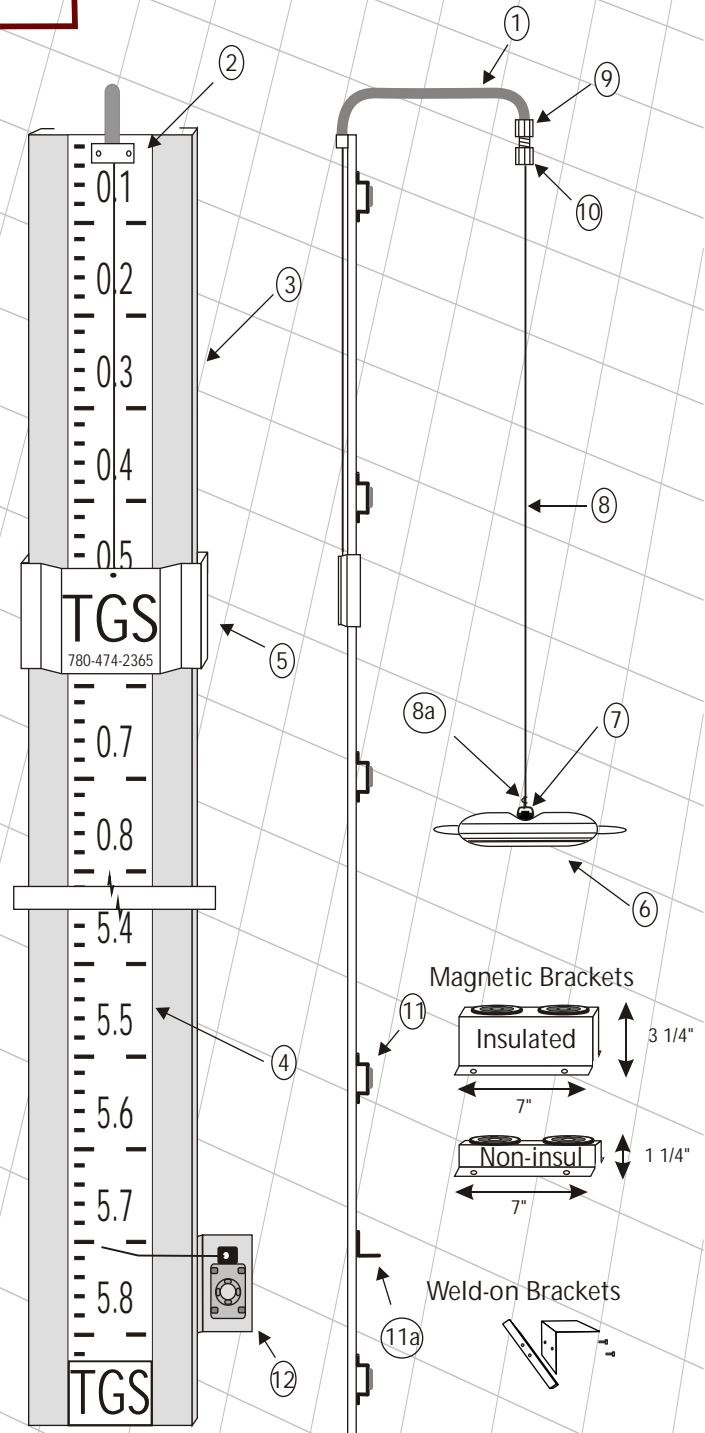
Calgary: 403-685-8867 (fax) 685-8868

# TANK GAUGING

## TGS SIDE MOUNTED SWEET SERVICE MECHANICAL LEVEL GAUGE TGS - 6010

## SYSTEMS

ITEM	DESCRIPTION / MATERIAL
1.)	PVC Guide Tube • 1.050"O.D, 3/4" I.D. Approximately 30" length
2.)	Clamping Block (PVC)
3.)	Gauge Board • 14 Gauge Aluminum - 6" wide
4.)	Decal • High reflective 3M decal, 4" width
5.)	Indicator/Slider • Aluminum slider with 3M decal
6.)	Fiberglass Float - 5 3/4" O.D. x 15" (standard)
7.)	316 Stainless Steel Swivel
8.)	316 Stainless Steel Cable - 3/32" (standard)
8a.)	1/8" Stainless Steel Cable Clamp
9.)	3/4" PVC adapter (SL to MT) w/ O-Ring • Viton seal O-Ring
10.)	3/4" PVC coupler (FT to SL)
11.)	Magnetic Mounting Bracket
11a.)	Weld-on Mounting Bracket
12.)	High / Low Level Alarm Point Switch • CSA Class 1, Div. 1 • Field adjustable
<b>OPERATING</b>	
• Temperature: 60°C (Standard - higher available)	
• Pressure: Atmospheric	
• Measurement Range: up to 42ft (higher available)	
** Typical Shipping Weight: 50lbs	



## Technical Specifications

Tank Gauging Systems, Edmonton - Calgary

Edm: 780-474-2365 (fax) 477-1576

Calgary: 403-685-8867 (fax) 685-8868

# TANK GAUGING SYSTEMS

# 6010

## TGS - 6010 Technical Order Guide

Model TGS 6010 provides local indication of tank fluid level using the highest quality mechanical components to insure long lasting, reliable fluid monitoring. Standard Gauging packages includes TGS's unique Fiberglass Float with Stainless Steel Swivel, Aluminum Gauge Board & Indicator, Decals manufactured from highly reflective 3M material, PVC Cable Guide, 316 Stainless Steel Cable (3/32 diameter), Stainless Steel Cable Clamp, 3/4" Process Connection and TGS's unique friction fit Weld-on Mounting System or Magnetic Mounting Brackets.

ORDERING CODE: TGS 6010 - A / B / C / D / E / F / G .

CODE	TANK SIZE / HEIGHT (A)
X	Tank Height Example - 20ft

CODE	DECAL CALIBRATION (B)
M	Metric - 1cm Increments - Standard
C	Cubic Meters
BBL	Barrels
FT	Standard - Ft & Inch
X	Other - Specify

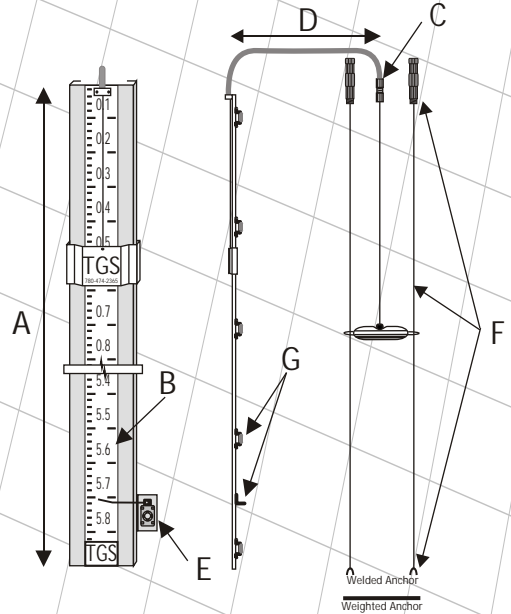
CODE	TANK CONNECTION (C)
3/4"	3/4" - Standard
X	Other - Specify

CODE	CABLE GUIDE (D)
30"	30" - Standard
X	Longer - Specify

CODE	OUTPUTS (E)
N	No Outputs
R	Relay - Add (B) or (M) for Bracket
P	Pneumatic - Add (B) or (M)
B	Bolt on Mounting Bracket
M	Magnetic Mounting Bracket

CODE	CABLE GUIDED FLOAT (F)
N	NO Cable Guides with Tensions
Y	Cable Guides with Tensioners
W or A	(W) Weld-on (A) Weighted Anchor

CODE	BRACKETS (G)
W	Weld-on Mounting Brackets Non-Ins. Tank
WI	Weld-on Mounting Brackets Insulated Tank
NIM	Magnetic Bracket Non-Insulated Tank
IM	Magnetic Bracket Insulated Tank



TANK SPECIFICATIONS:	
Tank Heated:	Yes/No
Temperature:	Ambient Other:
Fluid:	SG:

### Customer Information

Company Name: \_\_\_\_\_ Contact Name: \_\_\_\_\_  
 Phone Number: \_\_\_\_\_ Fax Number: \_\_\_\_\_  
 Date Required: \_\_\_\_\_ PO / Ref Number: \_\_\_\_\_ Ship Via: \_\_\_\_\_  
 Invoicing: \_\_\_\_\_  
 Shipping: \_\_\_\_\_

## Technical Specifications

Tank Gauging Systems, Edmonton - Calgary

Edm: 780-474-2365 (fax) 477-1576  
 Calgary: 403-685-8867 (fax) 685-8868



# TANK GAUGING SYSTEMS CORP.

---

12532 124 Street, Edmonton, Alberta, T5L 0N5  
Edmonton Ph: 780-474-2365 Fax: 780-477-1576  
Calgary Ph: 403-685-8867 Fax: 403-685-8868

---

## TGS 6010 SIDE MOUNTED SWEET SERVICE INSTALLATION INSTRUCTIONS

1. Gauge Board: The gauge board has been shipped in sections with a joiner at the end of each section. Assemble the gauge board together via the joints and bolt magnetic or weld-on brackets to the back of the gauge board. Be sure brackets are mounted on the center of the gauge board so they do not interfere with slider movement. If using welded brackets mount the drilled and tapped plate of the bracket inside the gauge board and tighten the angle iron onto the plate. All the necessary hardware (washers, nuts and bolts) has been included in the gauge package. IF a Bolt-On Switch bracket is being used, bolt it to the back of the gauge board at this time.
2. Mounting the Gauge Board: The gauge board will mount to the tank via Magnetic Mounting Brackets or Weld-on Mounting Brackets. The gauge has been designed to be installed and serviced while the tank is in-service. If possible always try to mount the gauge board so the top of the gauge board is level with the roof of the tank (the point at which the roof begins to slope) and is close to the thief hatch so the float can be reached through the thief hatch.
3. Drilling Holes: Omit this step if a coupling has been welded into the tank. The clamping block has been positioned at the top of the gauge board and is used to connect the cable guide to the gauge board. Connect one end of the cable guide to the clamping block and locate a position on the tank to drill a hole. The hole can be drilled approximately an arms length from the thief hatch (1 1 ½ ft from the hatch). Drill a hole big enough to insert the ¾" coupler and file any rough edges that occur as a result of drilling. If drilling the hole while tank is in-service use plenty of cutting oil and be careful.
4. Cable Guide & Coupler: Place the ¾" adapter with the O-ring on the top of the tank and thread on nut from inside the tank. If a ¾" coupler has been welded on the tank the nut will not be required. Cut the cable guide (if required) as needed to fit between the coupler and clamping block. For best operation try to keep the cable guide as level as possible. Ream the inside of the pipe to remove any rough edges after cutting. Use the silicon supplied to seal all joints after the cable guide is fitted and installed onto the tank.
5. Stainless Steel Gauging Cable: Run the Stainless Steel gauging cable from the inside of the tank through the cable guide. Place the cable through the hole in the bolt on the slider and loosely tighten. Attach the float to the other end of the cable using the Stainless Steel cable clamp provided.
6. Calibration: Gently lower float into the tank. Dip tank and adjust the slider/indicator to the appropriate level. Tighten nut on the slider.

\*\* If using float cable guide assembly, mounting connections are 18" center to center

