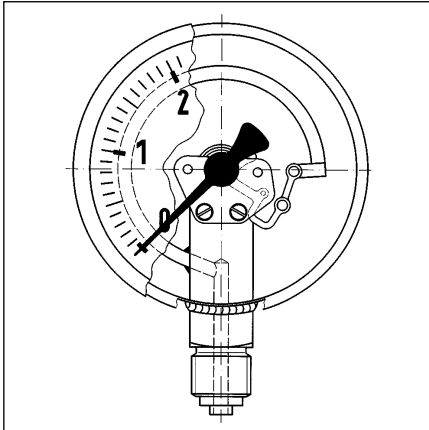


Bourdon tube pressure gauges for chemical applications EN 837-1



Application

For aggressive gaseous and liquid media which are not highly viscous and do not crystallize. Suitable for use in corrosive atmospheres.

! When measuring gas or vapour, the instruments must be used in accordance with the safety recommendations of EN 837-2 (see appendix).

Type

D 9

Nominal size

50 - 63

Accuracy class (EN 837-1/6)

1.6

Ranges (EN 837-1/5)

NG 50:

-1/0 to -1/+15 bar

0/0.6 to 0/600 bar

NG 63:

-1/0 to -1/+15 bar

0/0.6 to 0/1,000 bar

Application area

Static load:

$\frac{3}{4}$ x full scale value

Dynamic load:

$\frac{2}{3}$ x full scale value

Short term:

full scale value

Operating temperature range

Medium: $T_{max} = +150 \text{ }^\circ\text{C}$

Ambient: $T_{min} = -20 \text{ }^\circ\text{C}$

$T_{max} = +60 \text{ }^\circ\text{C}$

Temperature performance

Indication error when the temperature of the measuring element deviates from $20 \text{ }^\circ\text{C}$:

rising temp. approx. $\pm 0.4 \text{ } \% / 10\text{K}$

falling temp. approx. $\pm 0.4 \text{ } \% / 10\text{K}$

percentage of full scale value

Protection

IP 65 (EN 60529)

with housing vent ($\leq 25 \text{ bar}$)

IP 54

Standard version

Connection

Stainless steel 1.4571

NG 50 bottom or bottom back

NG 63 bottom or centre back

G $\frac{1}{4}$ B - spanner size 14

(EN 837-1/7.3)

Measuring element

Bourdon tube, stainless steel

1.4571

$\leq 60 \text{ bar}$ „C“ type bourdon tube

$> 60 \text{ bar}$ helical tube

leak tested (EN 837-1/9.5.6)

Movement

Stainless steel

Dial

Aluminium, white

Dial marking black

Pointer

Aluminium, black

Housing

Stainless steel 1.4301 with pressure relief port

Crimped bezel

Stainless steel 1.4301

Front glass

NG 50 plastic

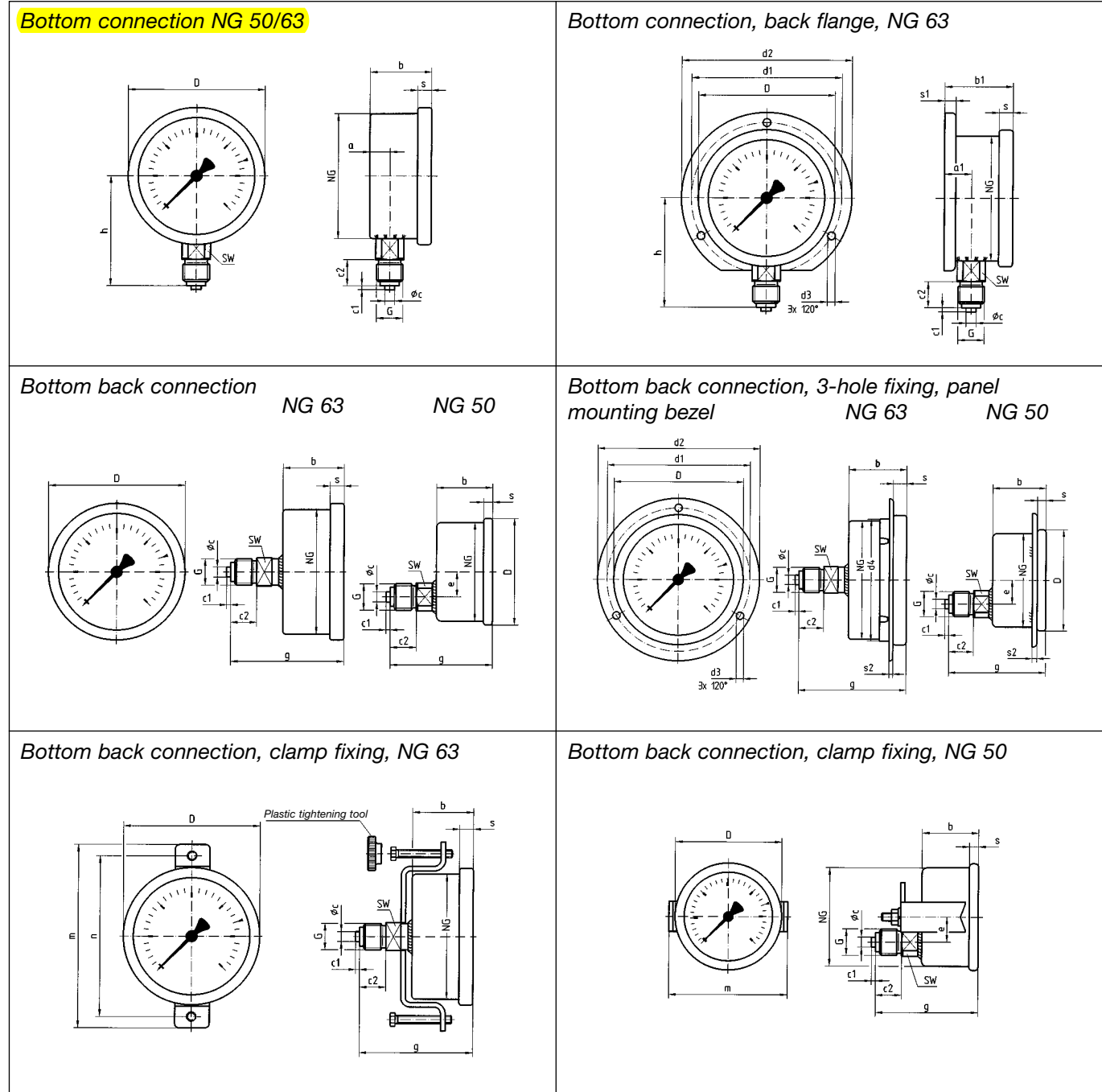
NG 63 laminated safety glass

Options

- Plastic front glass (NG 63)
- Brass movement
- Back flange (NG 63)
- Clamp fixing
- 3-hole fixing, panel mounting bezel (NG 63)
- Crimped bezel, polished
- Special scales

Bourdon tube pressure gauges for chemical applications Type D 9 - NG 50/63

Housing types and dimensions



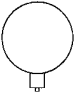
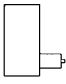
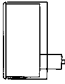
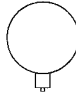


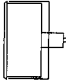
Dimensions (mm)

Nominal size (NG)	a	a1	b	b1	Øc	c1	c2	d1*	d2*	ds*	d4	D	e	G	g	h	m	n	s	s1	s2
50	10.5	-	28	-	5	2	13	60	70	3.6	-	53	12.5	G1/4B	51	46	59	-	4.5	-	2.5
63	9.5	13	30.5	34	5	2	13	75	85	3.6	64	68	-	G1/4B	56	53	94	82	7	5.5	2
Nominal size (NG)	SW																				
50	14																				
63	14																				

* Dimensions according to DIN EN 837-1

Bourdon tube pressure gauges for chemical applications EN 837-1

DG: M

Type	RF50Ch,D902	RF50Ch,D912	RF50Ch,D952		RF63Ch,D902	RF63Ch,D912	RF63Ch,D932	RF63Ch,D952
Version								
Housing-Ø	50	50	50		63	63	63	63
Housing	Stainless steel 1.4301 with crimped bezel 1.4301							
Meas. elem.	Bourdon tube, stainless steel 1.4571							
Accuracy class	1.6	1.6	1.6		1.6	1.6	1.6	1.6
Connection	G ¹ / ₄ B	G ¹ / ₄ B	G ¹ / ₄ B		G ¹ / ₄ B	G ¹ / ₄ B	G ¹ / ₄ B	G ¹ / ₄ B
			Clamp fixing				3-hole fixing, panel mounting bezel 1.4301, bare metal surface	Clamp fixing
Range (bar)	Part no.	Part no.	Part no.		Part no.	Part no.	Part no.	Part no.
Price €								
-1/0	85051902	85051912	85051952		85101902	85101912	85101932	85101952
-1/+0,6	85052902	85052912	85052952		85102902	85102912	85102932	85102952
-1/+1,5	85053902	85053912	85053952		85103902	85103912	85103932	85103952
-1/+3	85054902	85054912	85054952		85104902	85104912	85104932	85104952
-1/+5	85055902	85055912	85055952		85105902	85105912	85105932	85105952
-1/+9	85056902	85056912	85056952		85106902	85106912	85106932	85106952
-1/+15	85057902	85057912	85057952		85107902	85107912	85107932	85107952
Price €								
0/0,6	85059902	85059912	85059952		85109902	85109912	85109932	85109952
0/1	85060902	85060912	85060952		85110902	85110912	85110932	85110952
0/1,6	85061902	85061912	85061952		85111902	85111912	85111932	85111952
0/2,5	85062902	85062912	85062952		85112902	85112912	85112932	85112952
0/4	85063902	85063912	85063952		85113902	85113912	85113932	85113952
0/6	85064902	85064912	85064952		85114902	85114912	85114932	85114952
0/10	85065902	85065912	85065952		85115902	85115912	85115932	85115952
0/16	85066902	85066912	85066952		85116902	85116912	85116932	85116952
0/25	85067902	85067912	85067952		85117902	85117912	85117932	85117952
0/40	85068902	85068912	85068952		85118902	85118912	85118932	85118952
Price €								
0/60	85069902	85069912	85069952		85119902	85119912	85119932	85119952
0/100	85070902	85070912	85070952		85120902	85120912	85120932	85120952
0/160	85071902	85071912	85071952		85121902	85121912	85121932	85121952
0/250	85072902	85072912	85072952		85122902	85122912	85122932	85122952
0/400	85073902	85073912	85073952		85123902	85123912	85123932	85123952
Price €								
0/600	85074902	85074912	85074952		85124902	85124912	85124932	85124952
0/1000	---	---	---		85125902	85125912	85125932	85125952