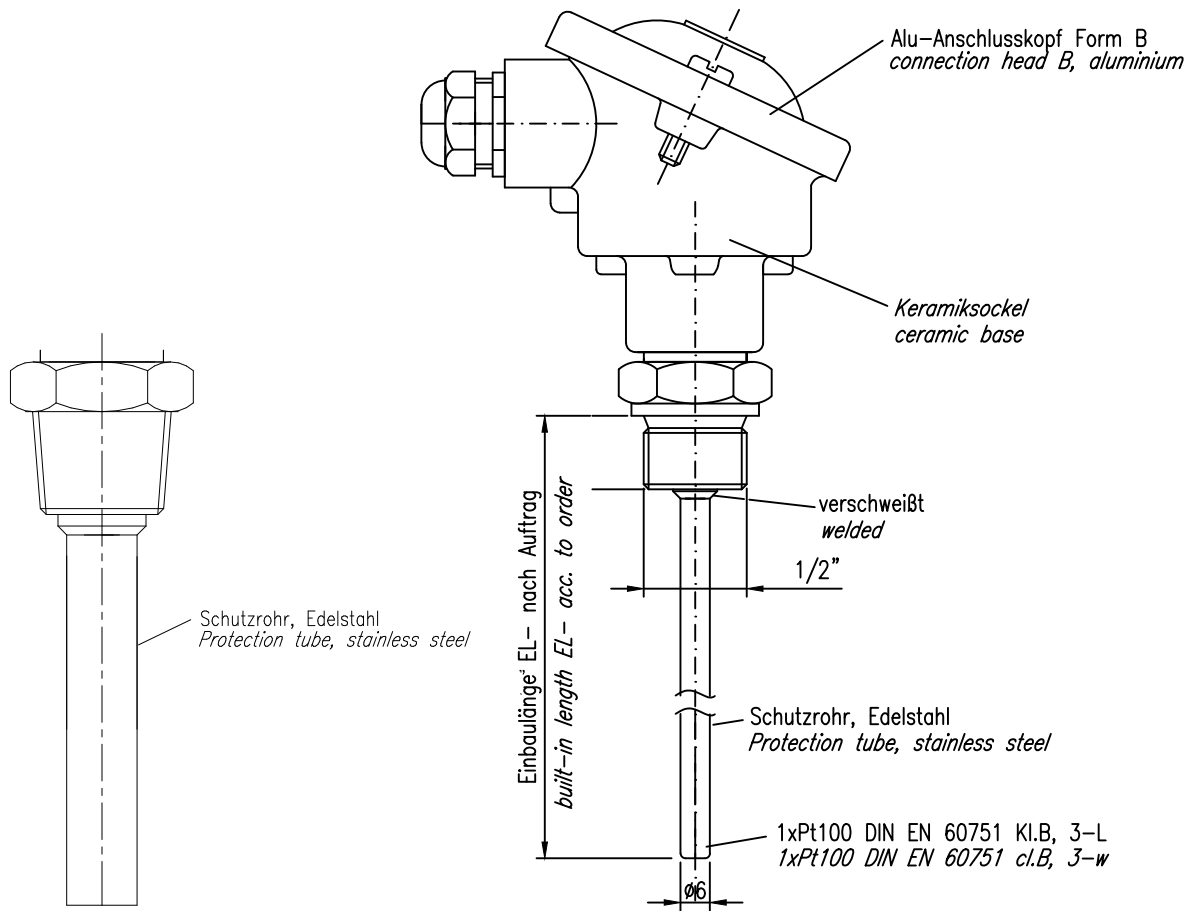


The copying, distribution and utilization of this documents as well as the communication of its contents to others without expressed authorization is prohibited.



Schutzart: IP68
 Einsatztemperatur: -50°C bis +400°C
 Protection class: IP68
 Working temperature: -50°C to +400°C

	1	2	3	4	5	(tolerances)		Scale ---
	6	7	8	9	10			(Material)
						Date	Author	Article PRO25075
						Drawing number:		sheet 1
								1 sh.
Rev.	Revision record	Date	Auth.	INTRIAL				