

General-purpose Limit Switch D4A-□□□N

The Limit Switch with Better Seal, Shock Resistance, and Strength

- A double seal on the head, a complete gasket cover, and other features ensure a better seal (meets UL NEMA 3, 4, 4X, 6P, 12, 13).
- Block mounting method to reduce weight to 290 g.
- Block mounting method also reduces downtime for maintenance.
- Wide standard operating temperature range: -40°C to 100°C (standard type).
- Models with fluoro-rubber available for greater resistance to chemicals.
- DPDT, double-break models available for complex operations.



Model Number Structure

■ Model Number Legend

D4A-□□□□N
1 2 3

1. Receptacle Box

- 1: 1/2-14 NPT conduit (SPDT, double-break)
- 2: 1/2-14 NPT conduit (DPDT, double-break)
- 3: G 1/2 conduit (SPDT, double-break)
- 4: G 1/2 conduit (DPDT, double-break)
- 5: M20 x 1.5 conduit (SPDT, double-break)
- 6: M20 x 1.5 conduit (DPDT, double-break)

2. Switch Box

- 1: SPDT, double-break, without indicator
- 3: SPDT, double-break, neon lamp
- A: SPDT, double-break, LED (12 VDC)
- C: SPDT, double-break, LED (24 VDC, leakage current: 4 mA)
- E: SPDT, double-break, LED (24 VDC, leakage current: 1.3 mA)
- G: SPDT, double-break, LED (48 VDC)
- 5: DPDT, double-break, simultaneous operation, without indicator
- 7: DPDT, double-break, sequential operation, without indicator (See note 1.)
- 9: DPDT, double-break, center neutral operation, without indicator (See note 2.)
- L: DPDT, double-break, simultaneous operation, neon lamp
- M: DPDT, double-break, sequential operation, neon lamp (See note 1.)
- N: DPDT, double-break, center neutral operation, neon lamp (See note 2.)
- P: DPDT, double-break, simultaneous operation, LED
- Q: DPDT, double-break, sequential operation, LED (See note 1.)
- R: DPDT, double-break, center neutral operation, LED (See note 2.)

3. Head










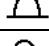

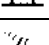


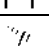
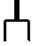
- 01: Roller lever, standard
- 02: Roller lever, high-sensitivity
- 03: Roller lever, low torque
- 04: Roller lever, high-sensitivity, low torque
- 05: Roller lever, maintained
- 17: Roller lever, sequential operation
- 18: Roller lever, center neutral operation
- 06: Side plunger, standard
- 07-V: Side plunger, vertical roller
- 07-H: Side plunger, horizontal roller
- 08: Side plunger, adjustable
- 09: Top plunger, standard
- 10: Top plunger, roller
- 11: Top plunger, adjustable
- 12: Flexible rod, spring wire
- 14: Flexible rod, plastic rod
- 15: Flexible rod, cat whisker
- 16: Flexible rod, coil spring

- Note:**
1. Use the D4A-0017N Special Head.
 2. Use the D4A-0018N Special Head.
 3. Fluoro-rubber sealed type is also available.

Ordering Information

■ List of Models

SPDT Double-break Switches





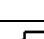
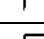





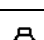






Actuator	1/2-14NPT conduit				
	Without indicator		With neon lamp indicator (AC)		With LED indicator (DC)
	Model	Approved standards	Model	Approved standards	
Roller lever: standard (See note 4.) 	D4A-1101N	UL, CSA	D4A-1301N	UL, CSA	D4A-1A01N, D4A-1C01N, D4A-1E01N, D4A-1G01N
Roller lever: high-sensitivity (See note 4.) 	D4A-1102N	UL, CSA	D4A-1302N	UL, CSA	D4A-1A02N, D4A-1C02N, D4A-1E02N, D4A-1G02N
Roller lever: low torque (See note 4.) 	D4A-1103N	UL, CSA	D4A-1303N	UL, CSA	D4A-1A03N, D4A-1C03N, D4A-1E03N, D4A-1G03N
Roller lever: high-sensitivity/low torque (See note 4.) 	D4A-1104N	UL, CSA	D4A-1304N	UL, CSA	D4A-1A04N, D4A-1C04N, D4A-1E04N, D4A-1G04N
Roller lever: maintained (See note 4 and 5.) 	D4A-1105N	UL, CSA	D4A-1305N	UL, CSA	D4A-1A05N, D4A-1C05N, D4A-1E05N, D4A-1G05N
Side plunger 	D4A-1106N	UL, CSA	D4A-1306N	UL, CSA	D4A-1A06N, D4A-1C06N, D4A-1E06N, D4A-1G06N
Side-roller plunger: vertical roller 	D4A-1107-VN	UL, CSA	D4A-1307-VN	UL, CSA	D4A-1A07-VN, D4A-1C07-VN, D4A-1E07-VN, D4A-1G07-VN
Side-roller plunger: horizontal roller 	D4A-1107-HN	UL, CSA	D4A-1307-HN	UL, CSA	D4A-1A07-HN, D4A-1C07-HN, D4A-1E07-HN, D4A-1G07-HN
Side plunger: adjustable 	D4A-1108N	UL, CSA	D4A-1308N	UL, CSA	D4A-1A08N, D4A-1C08N, D4A-1E08N, D4A-1G08N
Top plunger 	D4A-1109N	UL, CSA	D4A-1309N	UL, CSA	D4A-1A09N, D4A-1C09N, D4A-1E09N, D4A-1G09N
Top plunger: roller 	D4A-1110N	UL, CSA	D4A-1310N	UL, CSA	D4A-1A10N, D4A-1C10N, D4A-1E10N, D4A-1G10N
Top plunger: adjustable 	D4A-1111N	UL, CSA	D4A-1311N	UL, CSA	D4A-1A11N, D4A-1C11N, D4A-1E11N, D4A-1G11N
Flexible rod: Spring wire 	D4A-1112N	UL, CSA	D4A-1312N	UL, CSA	D4A-1A12N, D4A-1C12N, D4A-1E12N, D4A-1G12N
Flexible rod: Plastic rod 	D4A-1114N	UL, CSA	D4A-1314N	UL, CSA	D4A-1A14N, D4A-1C14N, D4A-1E14N, D4A-1G14N
Flexible rod: Cat whisker 	D4A-1115N	UL, CSA	D4A-1315N	UL, CSA	D4A-1A15N, D4A-1C15N, D4A-1E15N, D4A-1G15N
Flexible rod: Coil spring 	D4A-1116N	UL, CSA	D4A-1316N	UL, CSA	D4A-1A16N, D4A-1C16N, D4A-1E16N, D4A-1G16N

Note: 1. The Switches listed above with an optional G1/2 or M20 x 1.5 conduit can be supplied upon request. To order, change the conduit identifier in the model number as follows:

1/2-14NPT	G1/2	M20 x 1.5
D4A-1□□□N	D4A-3□□□N	D4A-5□□□N

- Switches with fluoro-rubber seals (with an operating temperature range of -10°C to 120°C) may be ordered by adding an "F" suffix to the model number. (Example: D4A-3101N-F for D4A-3101N) Contact your OMRON representative for details.
- Switches with silicon rubber seals that have high weather-proof performance are also available and may be ordered by adding an "T" suffix to the model number. (Example: D4A-3112N-T for D4A-3112N) Contact your OMRON representative for details.
- Levers for Roller Lever Switches are optionally available. Select the lever from those listed in this datasheet (refer to *Levers* on pages 28 and 29) and order.
- "Roller lever: maintained" refers to actuators that possess a lock mechanism for switching operations. Use a Fork Lever Lock (D4A-E□□) as the lever.

DPDT Double-break Switches

Actuator	1/2-14NPT conduit			
	Without indicator		With neon lamp indicator (AC)	With LED indicator (DC)
	Model	Approved standards		
Roller lever: standard (See note 3.) 	D4A-2501N	UL, CSA	D4A-2L01N	D4A-2P01N
Roller lever: high-sensitivity (See note 3.) 	D4A-2502N	UL, CSA	D4A-2L02N	D4A-2P02N
Roller lever: low torque (See note 3.) 	D4A-2503N	UL, CSA	D4A-2L03N	D4A-2P03N
Roller lever: high-sensitivity/low torque (See note 3.) 	D4A-2504N	UL, CSA	D4A-2L04N	D4A-2P04N
Roller lever: maintained (See note 3 and 4.) 	D4A-2505N	UL, CSA	D4A-2L05N	D4A-2P05N
Roller lever: sequential operating (See note 3.) 	D4A-2717N	UL, CSA	D4A-2M17N	D4A-2Q17N
Roller lever: center neutral operating (See note 3.) 	D4A-2918N	UL, CSA	D4A-2N18N	D4A-2R18N
Side plunger 	D4A-2506N	UL, CSA	D4A-2L06N	D4A-2P06N
Side-roller plunger: vertical roller 	D4A-2507-VN	UL, CSA	D4A-2L07-VN	D4A-2P07-VN
Side-roller plunger: horizontal roller 	D4A-2507-HN	UL, CSA	D4A-2L07-HN	D4A-2P07-HN
Side plunger: adjustable 	D4A-2508N	UL, CSA	D4A-2L08N	D4A-2P08N
Top plunger 	D4A-2509N	UL, CSA	D4A-2L09N	D4A-2P09N
Top plunger: roller 	D4A-2510N	UL, CSA	D4A-2L10N	D4A-2P10N
Top plunger: adjustable 	D4A-2511N	UL, CSA	D4A-2L11N	D4A-2P11N
Flexible rod: Spring wire 	D4A-2512N	UL, CSA	D4A-2L12N	D4A-2P12N
Flexible rod: Plastic rod 	D4A-2514N	UL, CSA	D4A-2L14N	D4A-2P14N
Flexible rod: Cat whisker 	D4A-2515N	UL, CSA	D4A-2L15N	D4A-2P15N
Flexible rod: Coil spring 	D4A-2516N	UL, CSA	D4A-2L16N	D4A-2P16N

Limit Switches

Note: 1. The Switches listed above with an optional G1/2 or M20 x 1.5 conduit can be supplied upon request. To order, change the conduit identifier in the model number as follows:

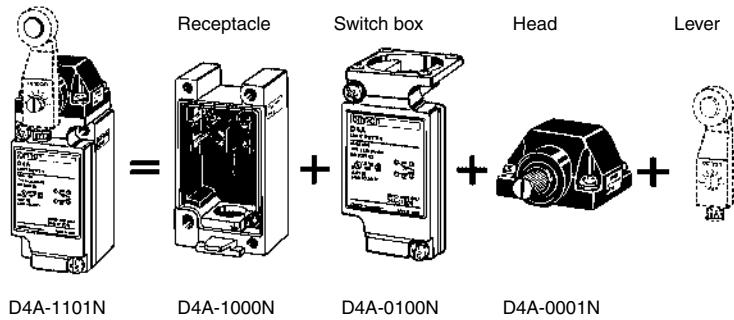
1/2-14NPT	G 1/2	M20 x 1.5
D4A-2□□□□N	D4A-4□□□□N	D4A-6□□□□N

- Switches with fluoro-rubber seals (with an operating temperature range of -10°C to 120°C) may be ordered by adding an "F" suffix to the model number. (Example: D4A-3101N-F for D4A-3101N) Contact your OMRON representative for details.
- Levers for Roller Lever Switches are optionally available. Select the lever from those listed in this data sheet (refer to *Levers* on pages 28 and 29) and order.
- "Roller lever: maintained" refers to actuators that possess a lock mechanism for switching operations. Use a Fork Lever Lock (D4A-E□□) as the lever.

Individual Parts

Replacement of Parts

Because the D4A-□N employs block mounting construction, the switch body, receptacle, and operating head may be ordered as a complete assembly or individually as replacement parts.



Levers for Roller Lever Switches are optionally available. Select the lever from those listed in this datasheet and order (refer to *Levers* on pages 20 and 21).

Receptacle Box














Type	Appearance	1/2-14NPT conduit (See note 2.)		G1/2 conduit (See note 1.)		M20 x 1.5 (See note 1.)	
		Model	Approved standards	Model	Approved standards	Model	Approved standards
SPDT double-break		D4A-1000N	UL, CSA	D4A-3000N	UL, CSA	D4A-5000N	UL, CSA
DPDT double-break		D4A-2000N	UL, CSA	D4A-4000N	UL, CSA	D4A-6000N	UL, CSA

- Note:** 1. M6-screw mounting (standard mounting)
 2. 10-32UNF-screw mounting (standard mounting)

Switch Box

Type	Appearance	Without indicator		With neon lamp indicator (AC)		With LED indicator (DC)	
		Model	Approved standards	Model	Approved standards	Model	
SPDT double-break	 (Without indicator lamp)	D4A-0100N	UL, CSA	D4A-0300N	UL, CSA	D4A-0A00N D4A-0C00N D4A-0E00N D4A-0G00N	
DPDT double-break	 (Without indicator lamp)	Simultaneous operation	D4A-0500N	UL, CSA	D4A-0L00N	---	D4A-0P00N
		Sequential operation	D4A-0700N	UL, CSA	D4A-0M00N	---	D4A-0Q00N
		Center neutral operation	D4A-0900N	UL, CSA	D4A-0N00N	---	D4A-0R00N

Heads

Type	Appearance				Approved standards
Roller lever (See note 1.)		Standard: High-sensitivity: Low torque: High-sensitivity/low torque: Sequential operation: Center neutral operation:	D4A-0001N D4A-0002N D4A-0003N (see note 2) D4A-0004N (see note 2) D4A-0017N (see note 3) D4A-0018N (see note 3)		UL, CSA
		Maintained:	D4A-0005N		
Side plunger					UL, CSA
	Standard: D4A-0006N	Horizontal roller: D4A-0007-HN	Vertical roller: D4A-0007-VN	Side adjustable: D4A-0008N	
Top plunger					UL, CSA
	Standard: D4A-0009N	Roller plunger: D4A-0010N	Plunger adjustable: D4A-0011N		
Flexible rod					UL, CSA
	Spring wire D4A-0012N	Plastic rod D4A-0014N	Cat whisker D4A-0015N	Coil spring D4A-0016N	

Note: 1. Levers for Roller Lever Switches are optionally available. Select the lever from those listed in this data sheet and order (refer to *Levers* on pages 28 and 29).

2. The D4A-C00 adjustable roller lever is too heavy and long for these heads and it should not be used or mechanical malfunction will result.

3. These heads cannot be used for double break operations.

Specifications

■ Approved Standards

Agency	Standard	File No.
UL	UL508	E76675
CSA	CSA C22.2 No. 14	LR45746

■ Approved Standard Ratings

UL/CSA

A600

D4A-□1□□N (SPDT, Double-break, Without Indicator)

Rated voltage	Carry current	Current		Volt-amperes	
		Make	Break	Make	Break
120 VAC	10 A	60 A	6 A	7,200 VA	720 VA
240 VAC		30 A	3 A		
480 VAC		15 A	1.5 A		
600 VAC		12 A	1.2 A		

A300

D4A-□3□□N (SPDT, Double-break, With Neon Lamp)

Rated voltage	Carry current	Current		Volt-amperes	
		Make	Break	Make	Break
120 VAC	10 A	60 A	6 A	7,200 VA	720 VA
240 VAC		30 A	3 A		

B600

D4A-□5□□N (DPDT, Double-break, Simultaneous Operation)

D4A-□7□□N (DPDT, Double-break, Sequential Operation)

D4A-□9□□N (DPDT, Double-break, Center Neutral Operation)

Rated voltage	Carry current	Current		Volt-amperes	
		Make	Break	Make	Break
120 VAC	5 A	30 A	3 A	3,600 VA	360 VA
240 VAC		15 A	1.5 A		
480 VAC		7.5 A	0.75 A		
600 VAC		6.0 A	0.6 A		

■ Ratings

Type	Rated voltage	Non-inductive load				Inductive load			
		Resistive load		Lamp load		Inductive load		Motor load	
		NC	NO	NC	NO	NC	NO	NC	NO
SPDT double-break (with/without indicator)	125 VAC (See note 5.)	10 A	10 A	3 A	1.5 A	10 A		5 A	2.5 A
	250 VAC (See note 5.)	10 A	10 A	2 A	1 A	10 A		3 A	1.5 A
	480 VAC	10 A	10 A	1.5 A	0.8 A	3 A		1.5 A	0.8 A
	600 VAC	3 A	1 A	1 A	0.5 A	1.5 A		1 A	0.5 A
	8 VDC	10 A		6 A	3 A	10 A		6 A	
	14 VDC	10 A		6 A	3 A	10 A		6 A	
	30 VDC	6 A		4 A	3 A	6 A		4 A	
	125 VDC (See note 5.)	0.8 A		0.2 A	0.2 A	0.8 A		0.2 A	
	250 VDC (See note 5.)	0.4 A		0.1 A	0.1 A	0.4 A		0.1 A	
	DPDT double-break (without indicator)	125 VAC	5 A		2 A		4 A		3 A
250 VAC		3 A		1 A		2 A		1.5 A	
480 VAC		1.5 A		0.5 A		1 A		0.8 A	
600 VAC		1 A		0.4 A		0.7 A		0.5 A	
14 VDC		5 A		2 A		4 A		3 A	
30 VDC		3 A		1 A		2 A		1.5 A	
125 VDC		0.4 A		0.1 A		0.4 A		0.1 A	
250 VDC		0.2 A		0.05 A		0.2 A		0.05 A	
DPDT double-break (with indicator)	125 VAC	5 A		2 A		4 A		3 A	
	250 VAC	3 A		1 A		2 A		1.5 A	
	12 VDC	5 A	---	---		---		---	
	24 VDC	3 A							
	48 VDC	1 A							

Type		SPDT, double-break		DPDT, double-break	
		Without indicator	With indicator	Without indicator	With indicator
Inrush current	Normally closed	30 A max.			
	Normally open	20 A max.			

- Note:**
- The above current ratings are for steady-state current.
 - Inductive loads have a power factor of 0.4 min. (AC) and a time constant of 7 ms max. (DC).
 - Lamp loads have an inrush current of 10 times the steady-state current.
 - Motor loads have an inrush current of 6 times the steady-state current.
 - For those with indicators, refer to the following rated voltages.

Indicators

Classification	Indicator	Model	Rated voltage	Carry current	Internal resistance
SPDT double-break	Neon lamp	D4A-0300N	125 VAC, 250 VAC	Approx. 0.47 mA	150 kΩ
	LED	D4A-0A00N	12 VDC	Approx. 3.2 mA	2.2 kΩ
		D4A-0C00N	24 VDC	Approx. 4 mA	4.7 kΩ
		D4A-0E00N	24 VDC	Approx. 1.3 mA	15 kΩ
		D4A-0G00N	48 VDC	Approx. 2 mA	22 kΩ
DPDT double-break	Neon lamp	D4A-0L00N	125 VAC, 250 VAC	Approx. 0.28 mA	240 kΩ
		D4A-0M00N			
		D4A-0N00N			
	LED	D4A-0P00N	48 VDC	Approx. 1.4 mA	---
		D4A-0Q00N			
	D4A-0R00N				

■ Characteristics

Degree of protection	IP67
Durability (See note 3.)	Mechanical: SPDT, double-break, roller lever: 50,000,000 operations min. (See note 2.) DPDT, double-break, roller lever: 30,000,000 operations min. (See note 2.) Electrical: SPDT, double-break: for 125 VAC, 10 A resistive load: 1,000,000 operations min. DPDT, double-break: for 125 VAC, 5 A resistive load: 750,000 operations min.
Operating speed	1 mm to 2 m/s (for D4A-3101N roller lever model)
Operating frequency	Mechanical: 300 operations/minute Electrical: 30 operations/minute
Rated frequency	50/60 Hz
Insulation resistance	100 MΩ min. (at 500 VDC) between terminals of the same polarity, between current-carrying metal parts and ground, and between each terminal and non-current-carrying metal part
Contact resistance	25 mΩ max. (initial value)
Temperature rise	50°C max.
Dielectric strength	1,000 VAC, 50/60 Hz for 1 min. between terminals of same polarity 2,200 VAC, 50/60 Hz for 1 min. between current-carrying metal parts and ground, and between each terminal and non-current-carrying metal part (See note 4.)
Pollution degree (operating environment)	3
Protection against electric shock	Class I (with grounding terminal)
Vibration resistance	Malfunction: 10 to 55 Hz, 1.5-mm double amplitude (See note 5.)
Shock resistance	Destruction: 1,000 m/s ² min. Malfunction: SPDT, double-break, roller lever: 600 m/s ² min. (See note 5.) DPDT, double-break, roller lever: 300 m/s ² min. (See note 5.)
Ambient operating humidity	95% max. (with no icing)
Weight	Approx. 290 g (for D4A-3101N roller lever model)

- Note:**
- The above figures are initial values.
 - Excluding maintained models.
 - The values are calculated at an operating temperature of 5°C to 35°C, and an operating humidity of 40% to 70%. Contact your OMRON sales representative for more detailed information on other operating environments.
 - 1,500 VAC is applied to the indicator lamp type.
 - Not including wobble levers (cat whisker, plastic rod, coil spring, and spring wire types).

Type	Roller lever (See note 5-1.)	Plunger, flexible rod (See note 5-2.)	With indicator	Fluoro-rubber seal
Ambient temperature (See note 5-3.)	-40°C to 100°C	-20°C to 100°C	-10°C to 80°C	-10°C to 120°C

- Excluding low-torque and high-sensitivity models.
- Including roller lever low-torque and high-sensitivity operating models.
- Should not cause icing.

■ Operating Characteristics

Note: The figures in the parentheses are average values.

Roller Lever Switches

SPDT Double-break

Model	D4A-1□01N	D4A-1□02N	D4A-1□03N	D4A-1□04N	D4A-1□05N
OF max.	0.39 N·m	0.39 N·m	0.2 N·m	0.2 N·m	0.39 N·m
RF min.	0.05 N·m	0.05 N·m	---	---	---
PT max.	15° (12°)	7° (6°)	15° (12°)	7° (6°)	65° (60°)
OT min.	70°	75°	70°	75°	20°
MD max.	5° (4°)	4° (3°)	5° (4°)	4° (3°)	35° (30°)

DPDT Double-break

Model	D4A-2□01N	D4A-2□02N	D4A-2□03N	D4A-2□04N	D4A-2□05N	D4A-2□17N	D4A-2□18N
OF max.	0.39 N·m	0.39 N·m	0.2 N·m	0.2 N·m	0.39 N·m	0.39 N·m	0.39 N·m
RF min.	0.05 N·m	0.05 N·m	---	---	---	0.05 N·m	0.02 N·m
PT max.	15° (12°)	7° (6°)	15° (12°)	7° (6°)	65° (60°)	1-stage: 12° (10°) 2-stage: 20° (17°)	19° (15°)
OT min.	70°	75°	70°	75°	20°	65°	65°
MD max.	7° (6°)	5° (4°)	7° (6°)	5° (4°)	35° (30°)	6° (5°)	5° (4°)

The figures in the parentheses are average values.

Side Plunger Switches

Model	SPDT double-break				DPDT double-break			
	D4A-1□06N	D4A-1□07-HN	D4A-1□07-VN	D4A-1□08N	D4A-2□06N	D4A-2□07-HN	D4A-2□07-VN	D4A-2□08N
OF max.	19.61 N	19.61 N	19.61 N	19.61 N	19.61 N	19.61 N	19.61 N	19.61 N
RF min.	4.90 N	4.90 N	4.90 N	4.90 N	4.90 N	4.90 N	4.90 N	4.90 N
PT max.	2.4 mm	2.4 mm	2.4 mm	2.4 mm	2.4 mm	2.4 mm	2.4 mm	2.4 mm
OT min.	5.1 mm	5.1 mm	5.1 mm	5.1 mm	5.1 mm	5.1 mm	5.1 mm	5.1 mm
MD max.	0.6 mm	0.6 mm	0.6 mm	0.6 mm	1.0 mm	1.0 mm	1.0 mm	1.0 mm
OP	34±0.8 mm	44±0.8 mm	44±0.8 mm	41 to 47.5 mm	34±0.8 mm	44±0.8 mm	44±0.8 mm	41 to 47.5 mm

Top Plunger Switches

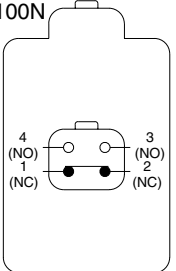
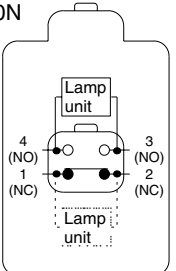
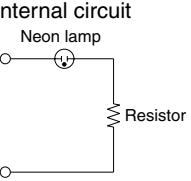
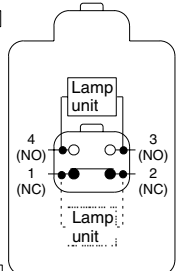
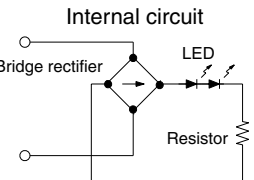
Model	SPDT double-break			DPDT double-break		
	D4A-1□09N	D4A-1□10N	D4A-1□11N	D4A-2□09N	D4A-2□10N	D4A-2□11N
OF max.	17.65 N	17.65 N	17.65 N	17.65 N	17.65 N	17.65 N
RF min.	4.90 N	4.90 N	4.90 N	4.90 N	4.90 N	4.90 N
PT max.	1.6 mm	1.6 mm	1.6 mm	1.6 mm	1.6 mm	1.6 mm
OT min.	5.1 mm	5.1 mm	5.1 mm	5.1 mm	5.1 mm	5.1 mm
MD max.	0.4 mm	0.4 mm	0.4 mm	1.0 mm	1.0 mm	1.0 mm
OP	46±0.8 mm	56±0.8 mm	55.5 to 62 mm	46±0.8 mm	56±0.8 mm	55.5 to 62 mm

Flexible Rod Switches

Model	SPDT double-break			DPDT double-break		
	D4A-1□12N	D4A-1□14N D4A-1□15N	D4A-1□16N	D4A-2□12N	D4A-2□14N D4A-2□15N	D4A-2□16N
OF max.	0.98 N	1.47 N		0.98 N	1.47 N	
PT max.	15° (5°)	15° (5°)		15° (5°)	15° (5°)	

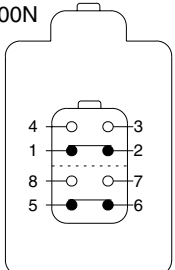
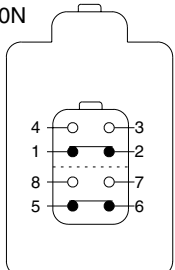
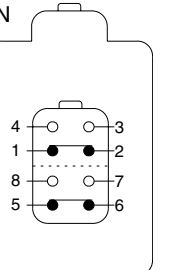
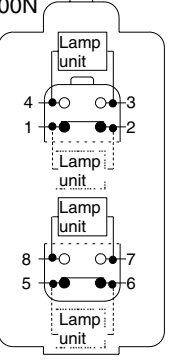
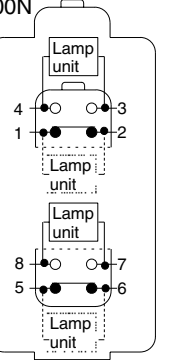
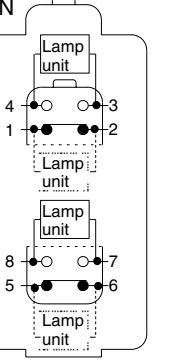
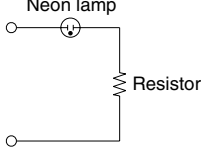
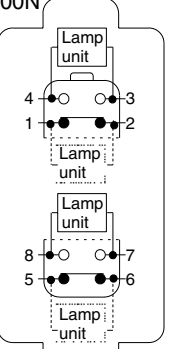
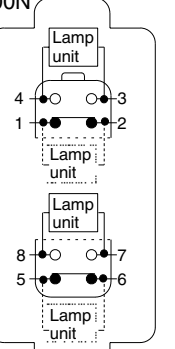
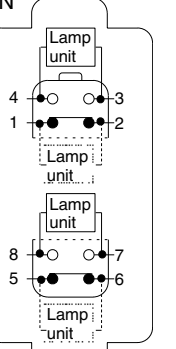
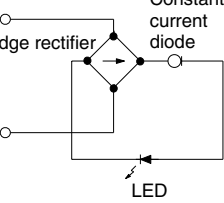
■ Contact Form (Switch Box)

SPDT Double-break Switches

Without indicator	With neon lamp indicator (See note.)	With LED indicator (See note.)
<p>D4A-0100N</p> 	<p>D4A-0300N</p> <p>NC-ON</p>  <p>Internal circuit</p> 	<p>D4A-0A00N, D4A-0C00N, D4A-0E00N, D4A-0G00N</p> <p>NC-ON</p>  <p>Internal circuit</p> 

Note: Indicator setting is made before shipping so that it will light when the Limit Switch is not being operated.

DPDT Double-break Switches

Type	Simultaneous operation	Sequential operation	Center neutral operation	Internal circuit of indicator
Without indicator	<p>D4A-0500N</p> 	<p>D4A-0700N</p>  <p>(See note 1.)</p>	<p>D4A-0900N</p>  <p>(See note 2.)</p>	---
With neon lamp indicator (See note 3.)	<p>D4A-0L00N</p> 	<p>D4A-0M00N</p> 	<p>D4A-0N00N</p> 	<p>Neon lamp</p> 
With LED indicator (See note 3.)	<p>D4A-0P00N</p> 	<p>D4A-0Q00N</p> 	<p>D4A-0R00N</p> 	<p>Bridge rectifier</p> <p>Constant current diode</p> 

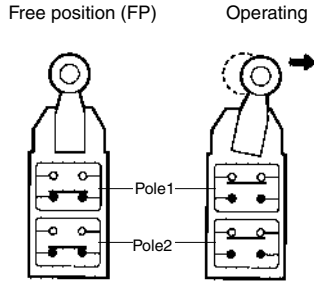
Note: 1. Use the D4A-0017N Special Head.
 2. Use the D4A-0018N Special Head.
 3. Indicator lamp setting is made before shipping so that it will light when the Limit Switch is not being operated.

■ Contacts

The D4A-□N saves installation space, simplifies wiring methods, and lowers operation costs because only a single D4A-□N is required for the control of the speeds of a factory machine or selection of CW or CCW rotation of a motor, for which two conventional limit switches are required.

Simultaneous Operation

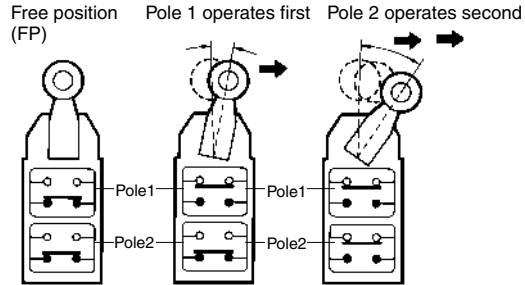
This head is compatible with a SPDT type head.



Pole 1 and pole 2 are actuated simultaneously. Operates either CW, CCW, or both.

Sequential Operating

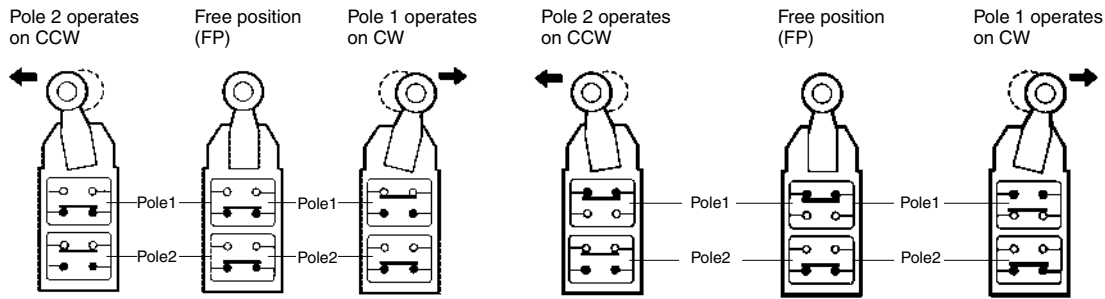
Use the D4A-0017N head.



Pole 1 operates first and pole 2 operates second.

Center Neutral Operating

Use the D4A-0018N head.



Pole 1 operates on CW and pole 2 operates CCW.

D4A-□ center neutral type

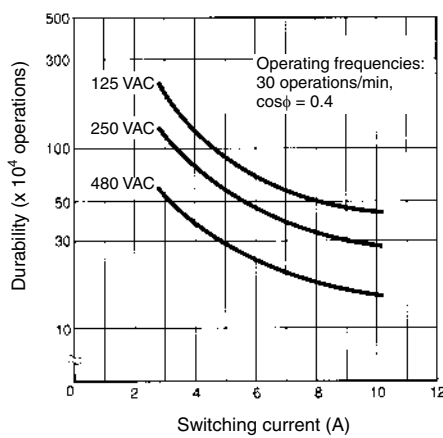
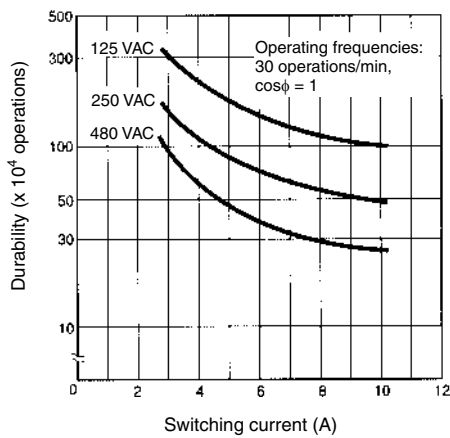
Note: The contact configuration of the center neutral operating model is different from that of any other D4A-□ Switch.

Limit Switches

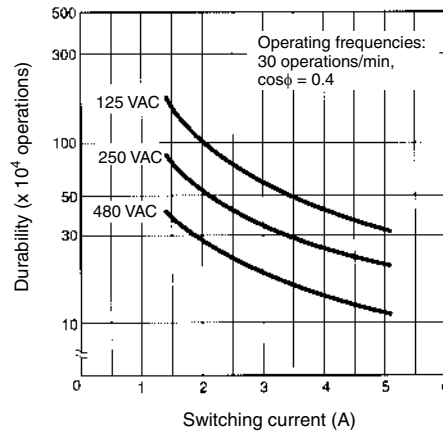
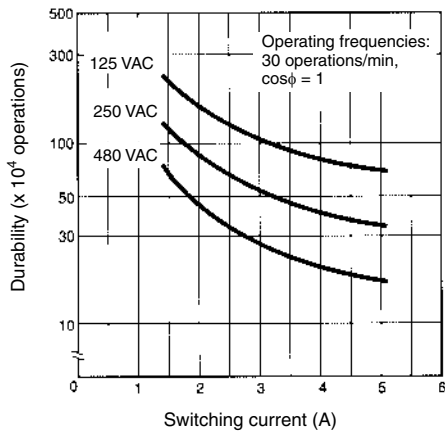
Engineering Data

■ Electrical Durability (SPDT Double-throw)

(Ambient temperature: 5°C to 35°C; ambient humidity: 40% to 70%)



Electrical Durability (DPDT Double-break)



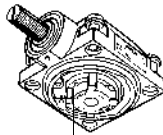
Nomenclature

DPDT Double-break

Head

With the Roller Lever and Side Plunger Switches, the direction of the switch head can be varied to any of the four directions by loosening the roller lever switch screws at the four corners of the head.

The Roller Lever Switch employs a system which allows selection of the operation of only one side (left or right) or both sides without use of any tools.



Operating Position Mark (arrow)

Bearings

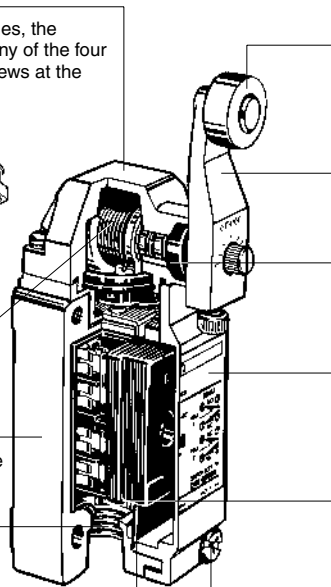
The copper-alloy bearings ensure long life expectancy.

Receptacle

The plug-in type receptacle provides adequate space for wiring.

Conduit Opening

G 1/2 conduit threads featuring high sealing property are used. (Consult your OMRON representative for details on SC connectors). A terminal box with 1/2-14NPT conduit threads is also available on request.



Roller

The roller actuator is made of hardened stainless steel and excels in resistance to wear.

Lever

With the Roller Lever Switch, the lever can be installed anywhere in a 360° range (180° if the lever is reversed and attached to the shaft).

Oil Seal

Improved sealing property is ensured with a double-seal construction (a oil seal plus an X-ring seal).

Switch Box

Boasts long life expectancy (50 million mechanical operations or more with the 2-pole Double-break Switches and 30 million mechanical operations or more with the DPDT Double-break Switches).

Ground Terminal Screw

A ground terminal is provided to enhance safety.

Sealed Gasket

The employed full-cover method prevents the gasket from direct exposure to oil or water spray.

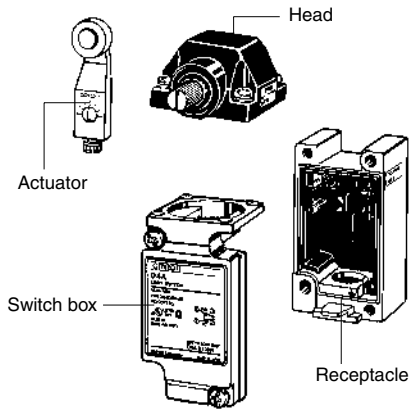
Switch Box Screw

A Phillips screw is used to secure the switch housing for ease of use, and features a measure to prevent the screw from coming off.

- Note:**
1. NBR is used in rubber components.
 2. Fluoro-rubber sealed types use fluoro-rubber.

Easy-maintenance Block Mounting

Block mounting makes it possible to easily assemble or disassemble the head, switch body, and receptacle of the D4A-□N by tightening or loosening the attached screws.



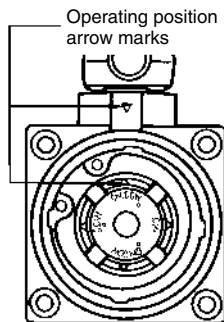
Installation

■ Operation

Changing the Operating Direction

The head of the side rotary type can be converted in seconds to CW, CCW, or both-way operation. Follow the procedures on the right hand side for conversion (not applicable to the Maintained, Sequential Operating, Center Neutral Operating Switches).

Operating Part (Rear of Head)



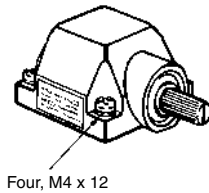
Procedures

1. Dismount the head by loosening the four screws that secure it.
2. Turn over the head to set the desired operation (CW, CCW, or both). The desired side can be selected by setting the mode selector knob shown in the figure. This knob is factory set to the "CW+CCW" (both-way operation) position.
3. When set to the CW position, the head rotates in clockwise direction.
When set to the CCW position, the head rotates in counterclockwise direction.
In either case, be sure to accurately align the arrow mark to the setting position.

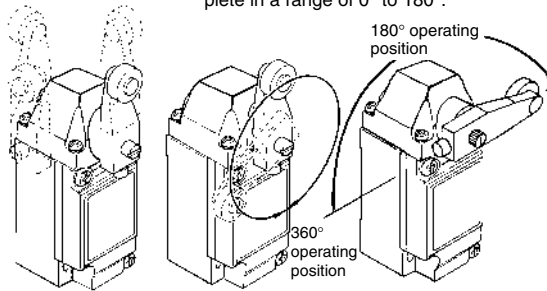
Head and Lever Positions

The operating head can be positioned and locked in any of four 90° positions and a lever can lock in any position through 360° around the shaft of the Limit Switch. Furthermore, the lever can be reversed and attached to the shaft (refer to the figures below on the right hand side). Therefore the roller is compatible with a wide movement range of a dog. A Fork Lever Lock can be used with maintained models (D4A-0005N) only.

Remove the head from the Switch by loosening the screws (the screws can be loosened but not removed from the head).

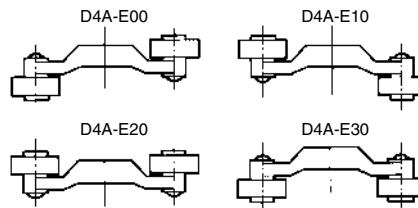


The operating head can be positioned and locked in any of four 90° positions.

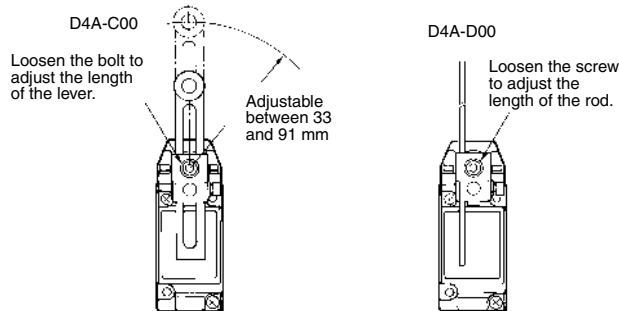


The lever can lock in any position through 360° around the shaft. The lever can be reversed and attached to the shaft, in which case the switching operation should complete in a range of 0° to 180°.

There are four kinds of fork lever locks. The position of each roller is different. It is possible to use D4A-E00 through D4A-E30 levers instead, if they are reversed before attaching. They can be used with D4A-□□05N models only.



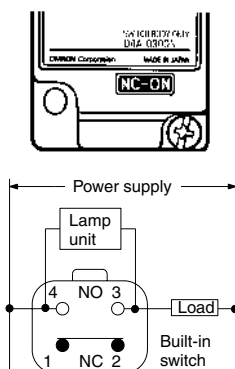
By loosening the Allen-head bolt on an adjustable roller lever or rod lever, the length of the lever can be adjusted.



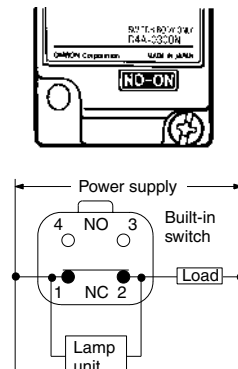
Lighting Mode Selection of Indicators

The lighting mode of the operation indicator can be changed easily between two modes: lighting when the Switch is operating and lighting when the Switch is not operating.

Lights When Not Operating
(See note 1.)

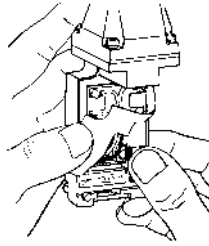


Lights When Operating
(See note 2.)

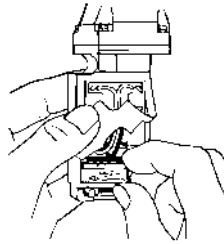


- Note: 1.** The lamp is lit when the actuator is at the free position. The lamp will be off when the contacts of the Limit Switch have been actuated and snapped to each other at the operating position.
- 2.** The lamp is lit when the contacts have been released and snapped only from the operating position.

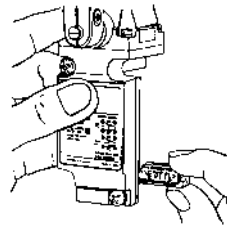
Change the lighting mode as follows:



Push the claw securing the lamp section to the right (do not push strongly).



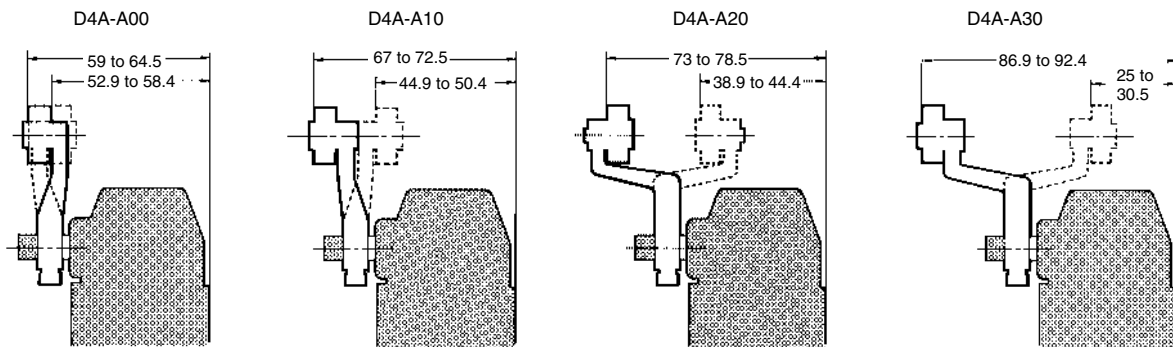
Remove the lamp section.



Mount the lamp section so that legend "NC-ON" or "NO-ON" will appear in the display window.

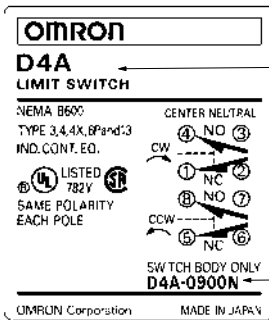
Note: In either case, the lamp will not light when the load is ON.

Lever Position



Limit Switches

Nameplate

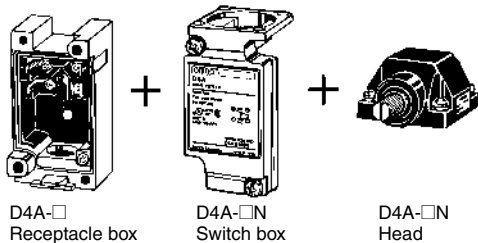


The whole switch model without lever is printed.

The type of switch box is printed. (The type is also indicated on the head and receptacle.)

Compatibility with D4A-□

The D4A-□N is compatible with the D4A-□ when the following accessories are attached to the D4A-□N.



Note: The D4A-□N without the above accessories is not compatible with the D4A-□.

Dimensions

- Note:** 1. All units are in millimeters unless otherwise indicated.
 2. Insert the model number code in □ for the switch body.
 3. Unless otherwise specified, a tolerance of ±0.4 mm applies to all dimensions.

Roller Lever Switches

Note: Levers of the side rotary type are optionally available.

Standard

D4A-1□01N, D4A-2□01N

High-sensitivity

D4A-1□02N, D4A-2□02N

Low Torque

D4A-1□03N, D4A-2□03N

High-sensitivity/Low Torque

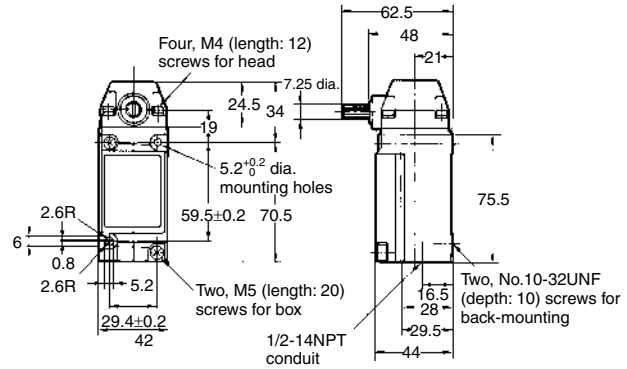
D4A-1□04N, D4A-2□04N

Sequential Operation

D4A-2□17N

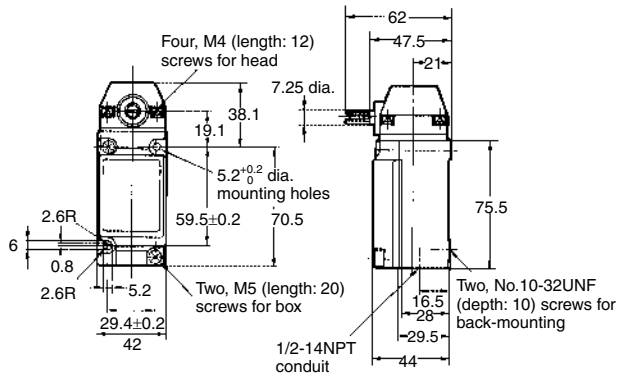
Center Neutral Operating

D4A-2□18N



Maintained

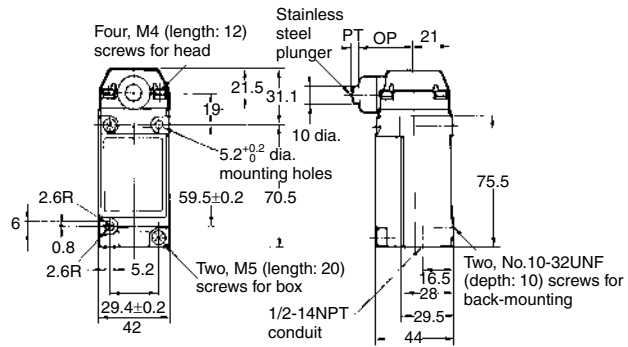
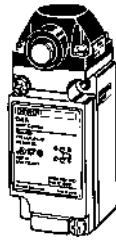
D4A-1□05N, D4A-2□05N



Side Plunger Switches

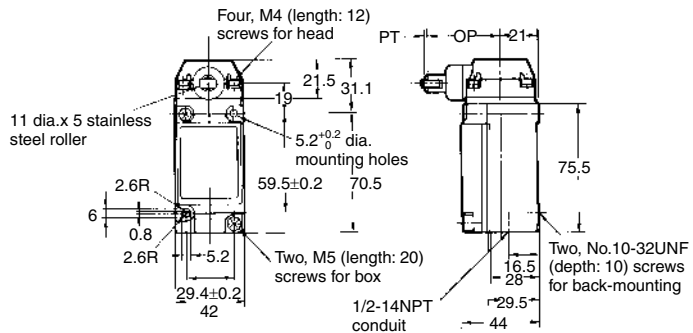
Standard

D4A-1□06N, D4A-2□06N



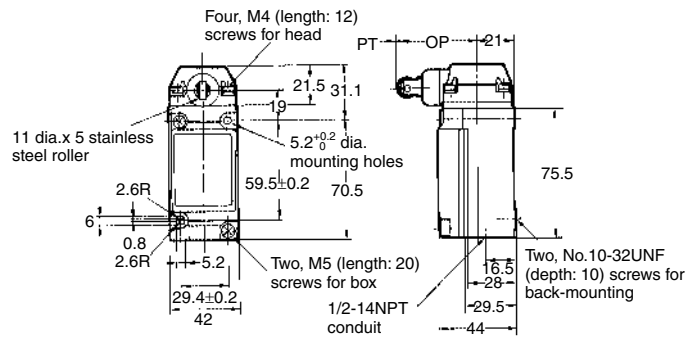
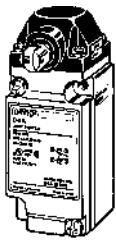
Horizontal Roller

D4A-1□07-HN, D4A-2□07-HN



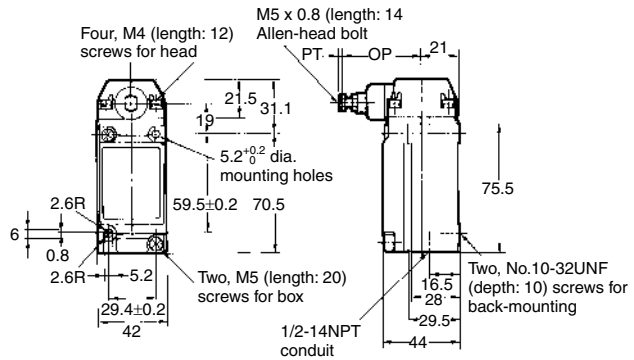
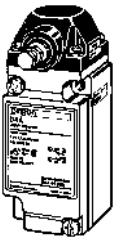
Vertical Roller

D4A-1□07-VN, D4A-2□07-VN



Adjustable

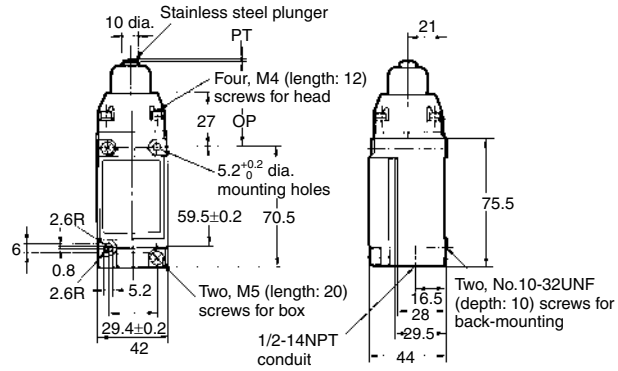
D4A-1□08N, D4A-2□08N



Top Plunger Switches

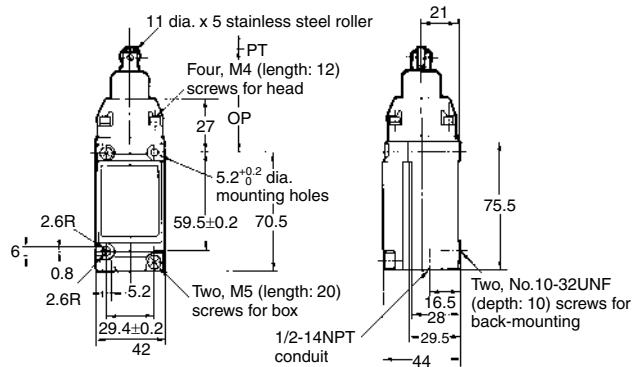
Standard

D4A-1□09N, D4A-2□09N



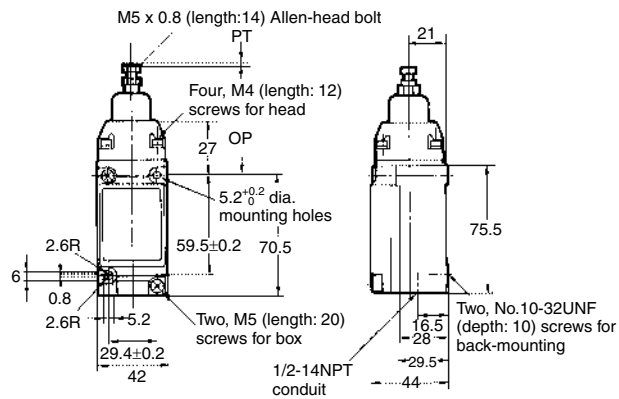
Roller Plunger

D4A-1□10N, D4A-2□10N



Adjustable

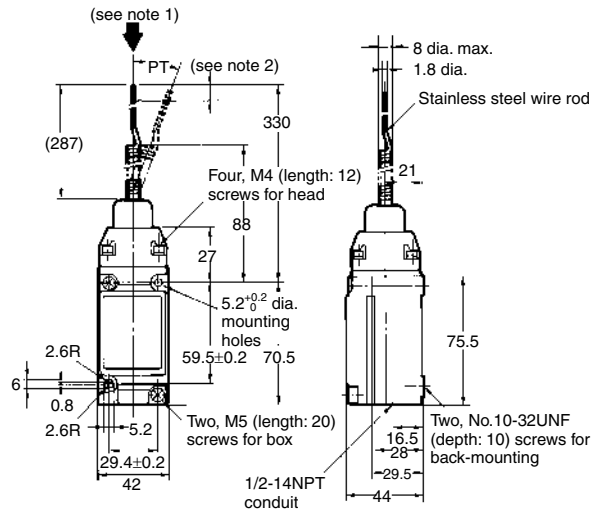
D4A-1□11N, D4A-2□11N



Flexible Rod Switches

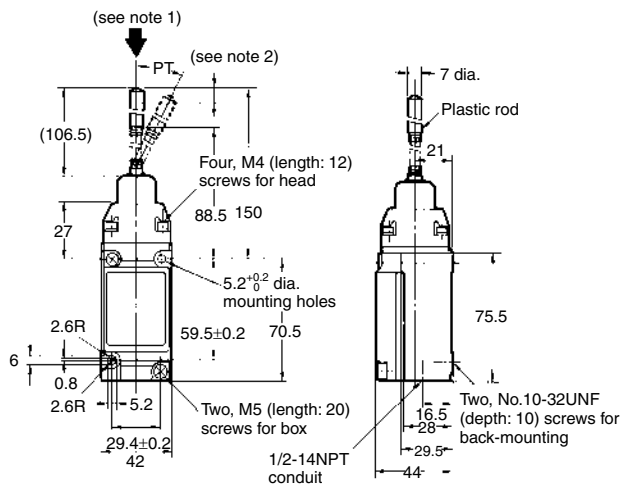
Spring Wire

D4A-1□12N, D4A-2□12N



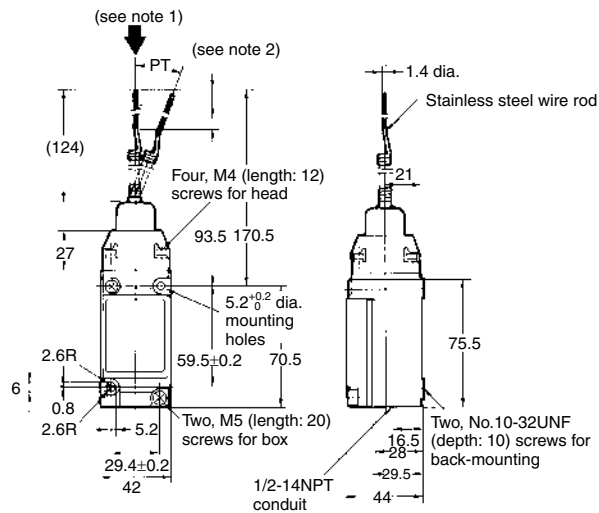
Plastic Rod

D4A-1□14N, D4A-2□14N



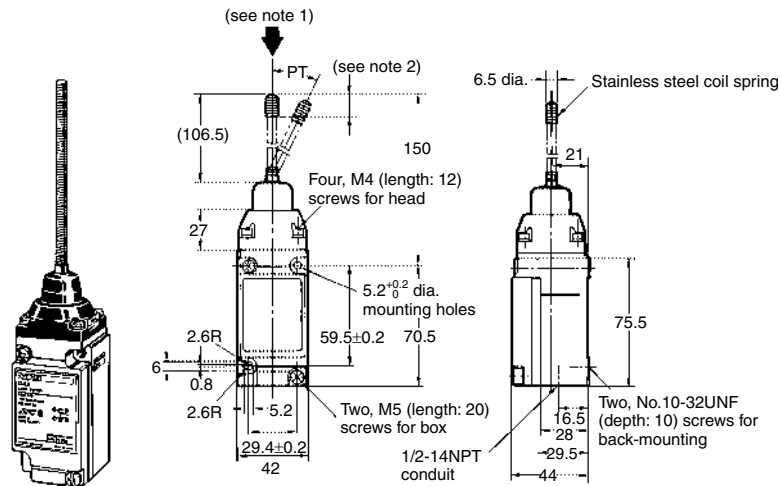
Cat Whisker

D4A-1□15N, D4A-2□15N



- Note:** 1. The stainless rod can be operated from any direction except the axial direction (i.e., from the top).
2. The optimum operating range of the stainless rod is within 1/3 of the entire length from the top end.

Coil Spring
D4A-1□16N, D4A-2□16N

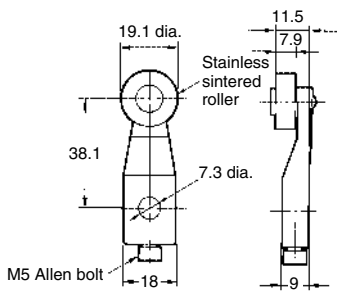


Note: 1. The stainless rod can be operated from any direction except the axial direction (i.e., from the top).
 2. The optimum operating range of the stainless rod is within 1/3 of the entire length from the top end.

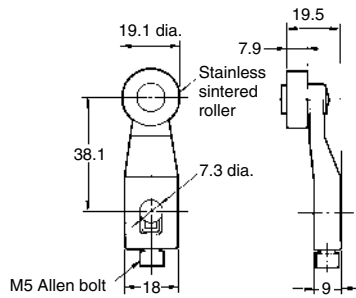
Levers (for Roller Lever Switches)

Note: No D4A-0003N or D4A-0004N head should be used with the adjustable roller lever or mechanical malfunctioning could result because the total weight of the adjustable roller lever is comparatively large. Use a standard-load head (D4A-0001N or D4A-0002N) instead.

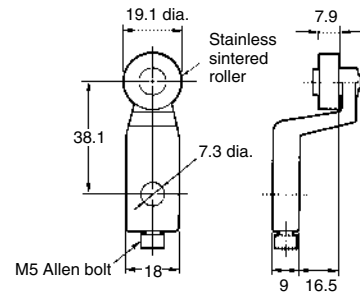
Roller Lever
D4A-A00



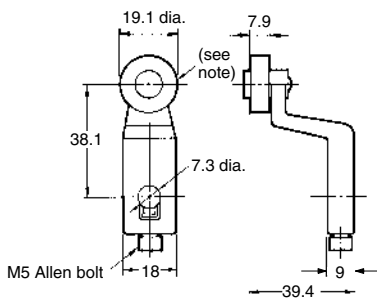
Roller Lever
D4A-A10



Roller Lever
D4A-A20

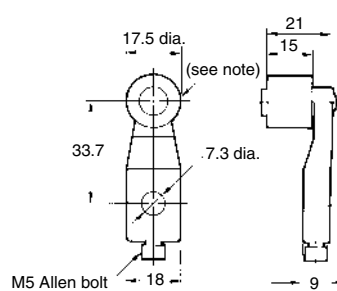


Roller Lever
D4A-A30



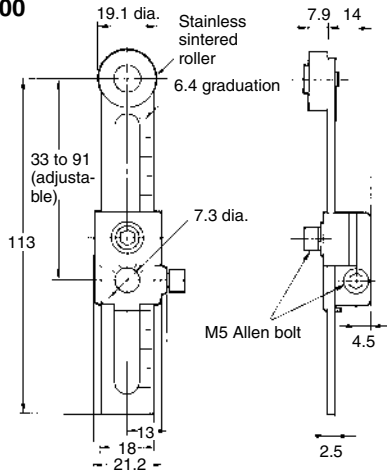
Note: Stainless sintered roller

Roller Lever
D4A-B06

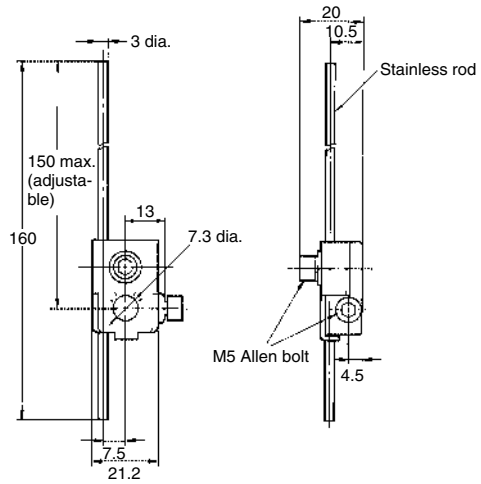


Note: Stainless sintered roller

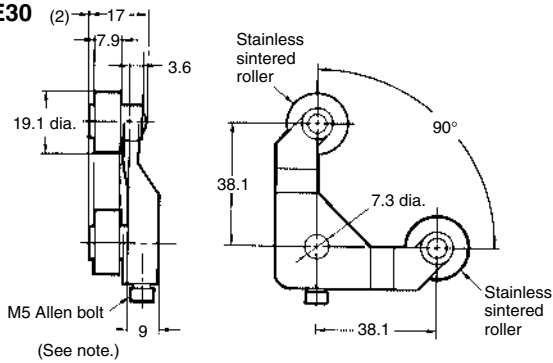
**Adjustable Roller Lever
D4A-C00**



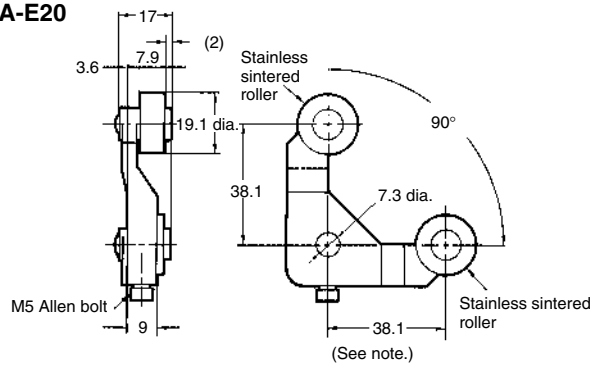
**Adjustable Rod Lever
D4A-D00**



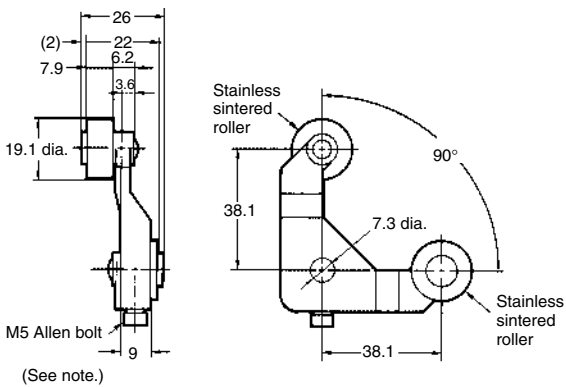
**Fork Lever Lock
D4A-E30**



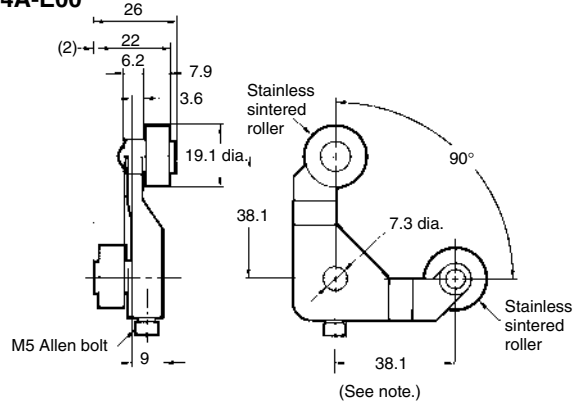
**Fork Lever Lock
D4A-E20**



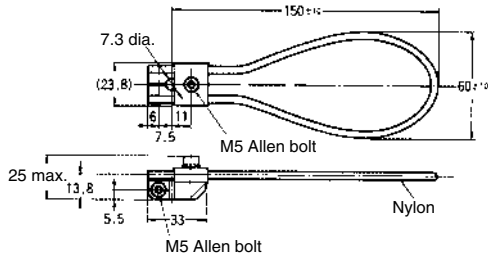
**Fork Lever Lock
D4A-E10**



**Fork Lever Lock
D4A-E00**



**Nylon Loop Lever
D4A-F00**



Note: A Fork Lever Lock can be used with D4A-□□05N models only.

Limit Switches

Precautions

■ Correct Use

Mounting

Model	1/2-14NPT Conduit D4A-1□□□N D4A-2□□□N
Front Mounting	<p>Two, 5.2^{+0.2} dia. holes or M5 tapped holes</p> <p>59.5±0.15</p> <p>29.4±0.15</p>
Rear Mounting (Rear View)	<p>Two, 6.2^{+0.2} dia. holes</p> <p>(Recommended mounting screws: M6. Switch Box depth: 10.)</p> <p>59.5±0.15</p> <p>29.4±0.15</p>

Tightening Torque

To maintain the high sealing capability of the Limit Switch, tighten the screws for the head and switch body with the following torques:

Head (four 12-mm M4 screws): 1.2 to 1.4 N·m
Switch body (two 20-mm M5 screws): 2.4 to 2.7 N·m

Solderless Terminals

The D4A-□N with DPDT double-break incorporates solderless terminals.

Operation

The operating methods, cam and dog shapes, operating frequency, and overtravel (OT) have a significant effect on the service life and accuracy of the Limit Switch. The shape of the cam should be as smooth as possible.

A marginal overtravel (OT) value should be set. The ideal value is the rated OT value x 0.7.

The actuator should not be remodeled to change the operating position.

Connectors

To satisfy IP67, apply sealing tape to the connector conduit.

Appropriate outer diameter of cables is 5.5 to 14 dia.

Use OMRON's SC-□M Series.

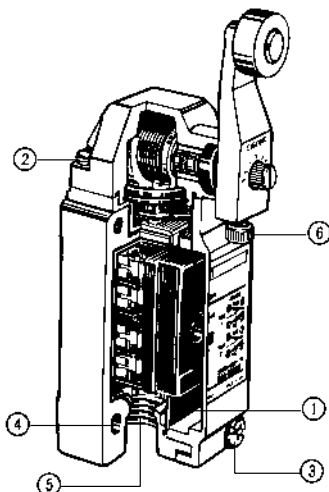
Tighten the Connectors to a torque of 1.8 to 2.2 N·m.

Maintenance and Repair

The user must not maintain or repair equipment incorporating any D4A-N model. Contact the manufacturer of the equipment for any maintenance or repairs required.

Tightening Torque

A loose screw may cause malfunctions. Be sure to tighten each screw to the proper tightening torque as shown in the table.



No.	Type	Appropriate tightening torque
1	Terminal screws (M3.5 screws) (including grounding terminals)	0.78 to 0.88 N·m
2	Head mounting screws	1.18 to 1.37 N·m
3	Switch and box mounting screws	2.35 to 2.75 N·m
4	Body mounting screws (See note.)	4.90 to 5.88 N·m
5	Connectors	1.77 to 2.16 N·m
6	Actuator mounting screws	2.45 to 2.65 N·m

Note: When using M5 Allen-head bolts, particularly when the head direction has been changed, check the torque of each screw and make sure that the screws are free of foreign substances, and that each screw is tightened to the proper torque.

ALL DIMENSIONS SHOWN ARE IN MILLIMETERS.
To convert millimeters into inches, multiply by 0.03937. To convert grams into ounces, multiply by 0.03527.