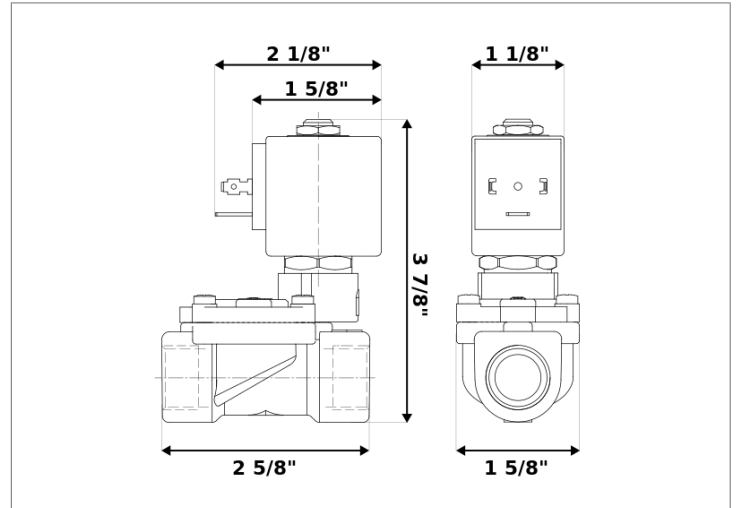


W4D49-000




Series W, normally closed, pilot operated, 2-way solenoid valve with brass body and 1/2" connection.



Valve	
Pipe Size:	1/2"
Pressure:	3-230 psi
Flow Coefficient:	4.9 Cv
Temperature:	15-195 °F
Suggested Usage:	Air, Inert gas, Water
Manual Override:	No
Orifice Size:	1/2"
Pipe Thread:	NPT

Electrical	
Power:	12 V dc
Coil Wattage:	8 W
Wire Connection:	Cable grip DIN
Form:	Type A
Coil Temperature:	15-310 °F (Class F)
Tolerances:	+10% -5%
Enclosure:	NEMA 4 / IP65

Materials	
Body:	Brass
Seal:	Buna-N rubber (NBR)
Armature Tube:	Stainless Steel 300
Fixed Core:	Stainless Steel 400
Plunger:	Stainless Steel 400
Spring:	Stainless Steel 300
Shading Ring:	Copper
Orifice:	Brass
Coil Molding:	Polyamide (PA)

Spare parts		
ARMATURE TUBE	REPAIR KIT	COIL/CONNECTOR
AT-A001	RK-W001	C-D49
		
<ul style="list-style-type: none"> • Armature tube 	<ul style="list-style-type: none"> • Diaphragm • Plunger assembly • O-ring 	<ul style="list-style-type: none"> • 12 V dc electrical coil • Cable grip DIN connection