

PRODUCT INFORMATION PACKET



Catalog No: 171566.60

.5HP..1800RPM.184TC.TEFC.230/460V.3PH.60HZ.CONT.40C.1.15SF.RIGID-C.....

Totally Enclosed Fan Cooled (TEFC)



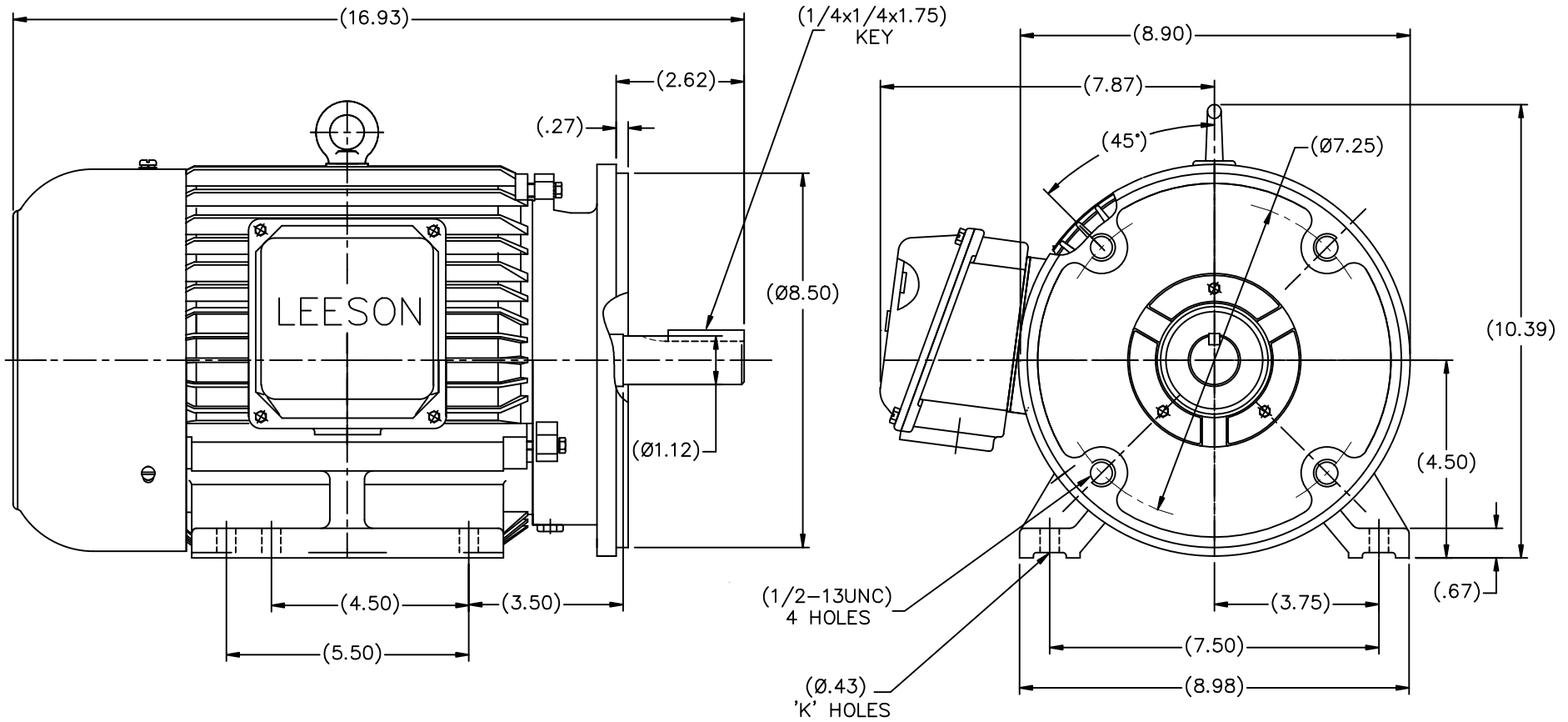


Nameplate Specifications

Output HP	5 Hp	Output KW	3.7 kW
Frequency	60 Hz	Voltage	208-230/460 V
Current	13.8-12.8/6.4 A	Speed	1760 rpm
Service Factor	1.15	Phase	3
Efficiency	8 %	Duty	CONTINUOUS
Insulation Class	F	Design Code	B
KVA Code	J	Frame	184TC
Enclosure	TEFC	Overload Protector	NOT
Ambient Temperature	40 °C	Drive End Bearing Size	6206
Opp Drive End Bearing Size	6205	UL	Recognized
CSA	Y	CE	Y
IP Code	43		


Technical Specifications

Electrical Type	SQ CAGE INV RATED	Starting Method	Y START D RUN OR INV
Poles	4	Rotation	REV
Mounting	RIGID	Motor Orientation	HORIZONTAL
Drive End Bearing	BALL	Opp Drive End Bearing	BALL
Frame Material	CAST IRON	Shaft Type	T
Overall Length	16.93 in	Shaft Diameter	1.13 in
Shaft Extension	2.75 in	Assembly/Box Mounting	F1/F2 CAPABLE
Outline Drawing	B-SS622293	Connection Diagram	5010.2



Cat. No.	FRAME
171564.60	N182TC-2W2
171446.60	N184TC-2W2
171565.60	N182TC-4W2
171566.60	N184TC-4W2

DRAWING NOT TO SCALE

NO.		REVISION	BY & DATE	CHK	ANG	±7'30"	FINISH	 ELECTRIC MOTORS GEARMOTORS AND DRIVES		DRAWN	MOL	03-11-2011	
THIS DRAWING IN DESIGN AND DETAIL IS OUR PROPERTY AND MUST NOT BE USED EXCEPT IN CONNECTION WITH OUR WORK ALL RIGHTS OF DESIGN AND INVENTION ARE RESERVED THIS IS AN ELECTRONICALLY GENERATED DOCUMENT - DO NOT SCALE THIS PRINT							RFP	CAD FILE SS622293		SIZE	DRAWING NO.	PAGE OF	REV.
							DIST			B	SS622293		

VIEW FROM OUTSIDE OF MOTOR AT SWITCH END. Uncontrolled Copy



LINE LEADS



VOLTAGE	L1	L2	L3	JOIN & INSULATE
HIGH	T1	T2	T3	(T4,T7) (T5,T8) (T6,T9)
LOW	T1,T7	T2,T8	T3,T9	T4,T5,T6

DRAWING REVISION **G** REVISION BY **MVG** DATE **04/05/2017**

ECO **ECO-0121253** APPROVED BY **SM** DATE **04/05/2017**

ECO DESCRIPTION
ADDED P1 & P2 FOR TSTAT

COPYRIGHT REGAL BELOIT AMERICA, INC. ALL RIGHTS RESERVED.
PROPRIETARY AND CONFIDENTIAL INFORMATION - THIS DOCUMENT IS THE PROPERTY OF
REGAL BELOIT AMERICA, INC. ("OWNER") AND CONTAINS OWNER'S PROPRIETARY
INFORMATION. ANY PERSON, CORPORATION OR OTHER FIRM RECEIVING IT IS DEEMED,
BY RECEIVING IT, TO AGREE THAT IT, AND/OR ANY PART OF IT, SHALL NOT BE DISCLOSED
TO ANY PERSON, CORPORATION OR OTHER ENTITY, DUPLICATED, AND/OR USED, EXCEPT
AS EXPRESSLY APPROVED IN WRITING IN ADVANCE BY OWNER. THIS DOCUMENT SHALL
BE RETURNED TO OWNER UPON REQUEST. IT MAY BE SUBJECT TO CERTAIN
RESTRICTIONS UNDER APPLICABLE EXPORT CONTROL LAWS AND REGULATIONS.

TOLERANCES UNLESS OTHERWISE SPECIFIED:

DEC.	INCH	mm	ANGLE
.X	±0.1	[±2.5]	±0.5°
.XX	±0.01	[±0.25]	
.XXX	±0.005	[±0.127]	
.XXXX	±0.0005	[±0.0127]	

REMOVE BURRS & BREAK SHARP EDGES: .003/.015 [.076/.381] X 45°
CORNER FILLETS: R.02 [.51]
MACHINED SURFACES: 125/3.2 INCH/mm
mm SHOWN IN [BRACKETS]

DRAWN BY **DBT 12/16/97**

DATE

APPROVED BY **KH 12/17/97**

DATE

REFERENCE

THIRD ANGLE PROJECTION

REGAL™ Regal Beloit America, Inc.

DESCRIPTION
CONN DIAGRAM-EXTERNAL
3 PHASE WITH PROTECTOR

MATERIAL DECAL - 004014 (TSTAT) - 080582	PROCESS/FINISH STOCK
SIZE A	DRAWING NUMBER 00501020
SHEET 1 OF 1	

Data Sheet

Date: 1/30/2018

171566.60



Data @ 460 V

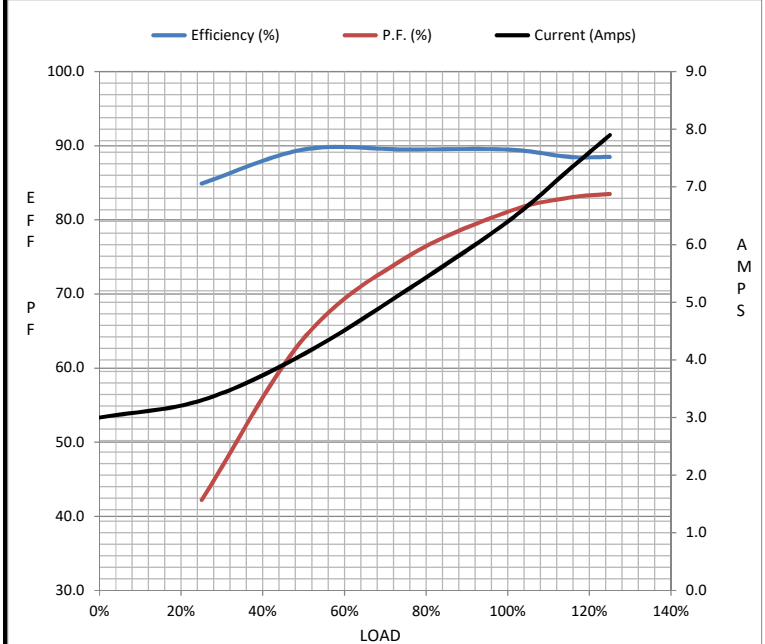
Motor Load Data

Load	0%	25%	50%	75%	100%	115%	125%	LR
Current (Amps)	3.0	3.3	4.1	5.2	6.4	7.3	7.9	49.0
Torque (ft-lb)	0.00	3.7	7.4	11.1	14.9	17.3	18.8	33.8
RPM	1800	1790	1780	1770	1760	1.750	1745	0
Efficiency (%)		84.9	89.5	89.5	89.5	88.5	88.5	
P.F. (%)	6.6	42.2	64.0	74.9	81.1	83.0	83.5	0.0

Motor Speed Data

	LR	Pull-Up	BD	Rated	Idle
Speed (RPM)	0	800	1535	1760	1800
Current (Amps)	49.0	46.5	30.0	6.4	3.0
Torque (ft-lb)	33.8	28.7	50.2	14.9	0.00

Information Block				
HP	5.0			
Sync. RPM	1800			
Frame	112			
Enclosure	TEFC			
Construction	TFC			
Voltage	208-230/460#190/380 V			
Frequency	60 Hz			
Design	B			
LR Code letter	J			
Service Factor	1.15			
Temp Rise @ FL	40 °C			
Duty	CONT			
Ambient	40 °C			
Elevation	1,000 feet			
Rotor/Shaft wk ²	0.00 Lb-Ft ²			
Ref Wdg	T08704011 NONE			
Sound Pressure @ 1M	61 dBA			
VFD Rating	CONSTANT 10:1			
Outline Dwg	B-SS622293			
Conn. Diag	005010.20			
Additional Specifications:				
0				
0				
EQUIV CKT (OHMS / PHASE)				
R1	R2	X1	X2	Xm
0.0000	0.0000	0.0000	0.0000	0.0000



Speed - Torque Curve

